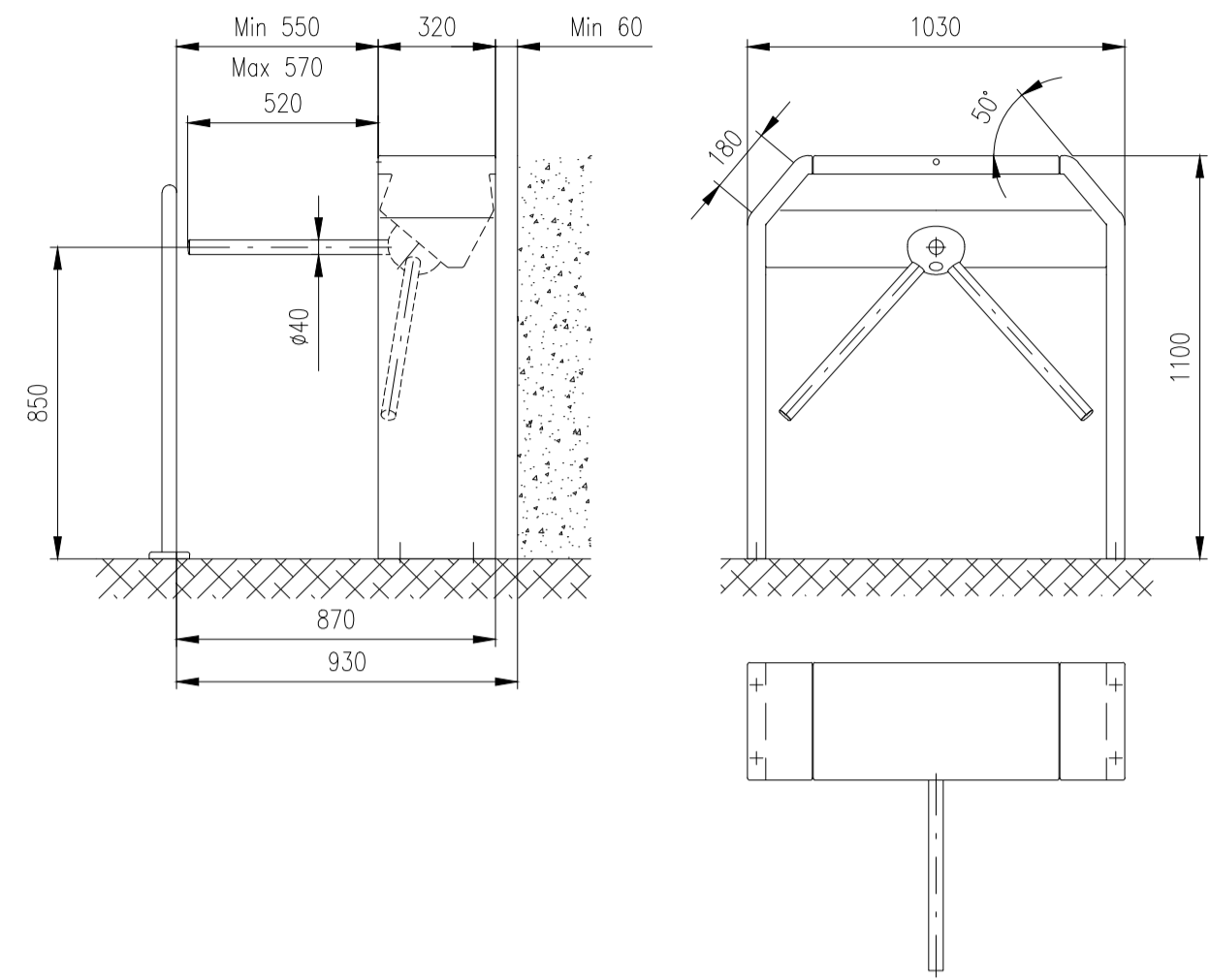
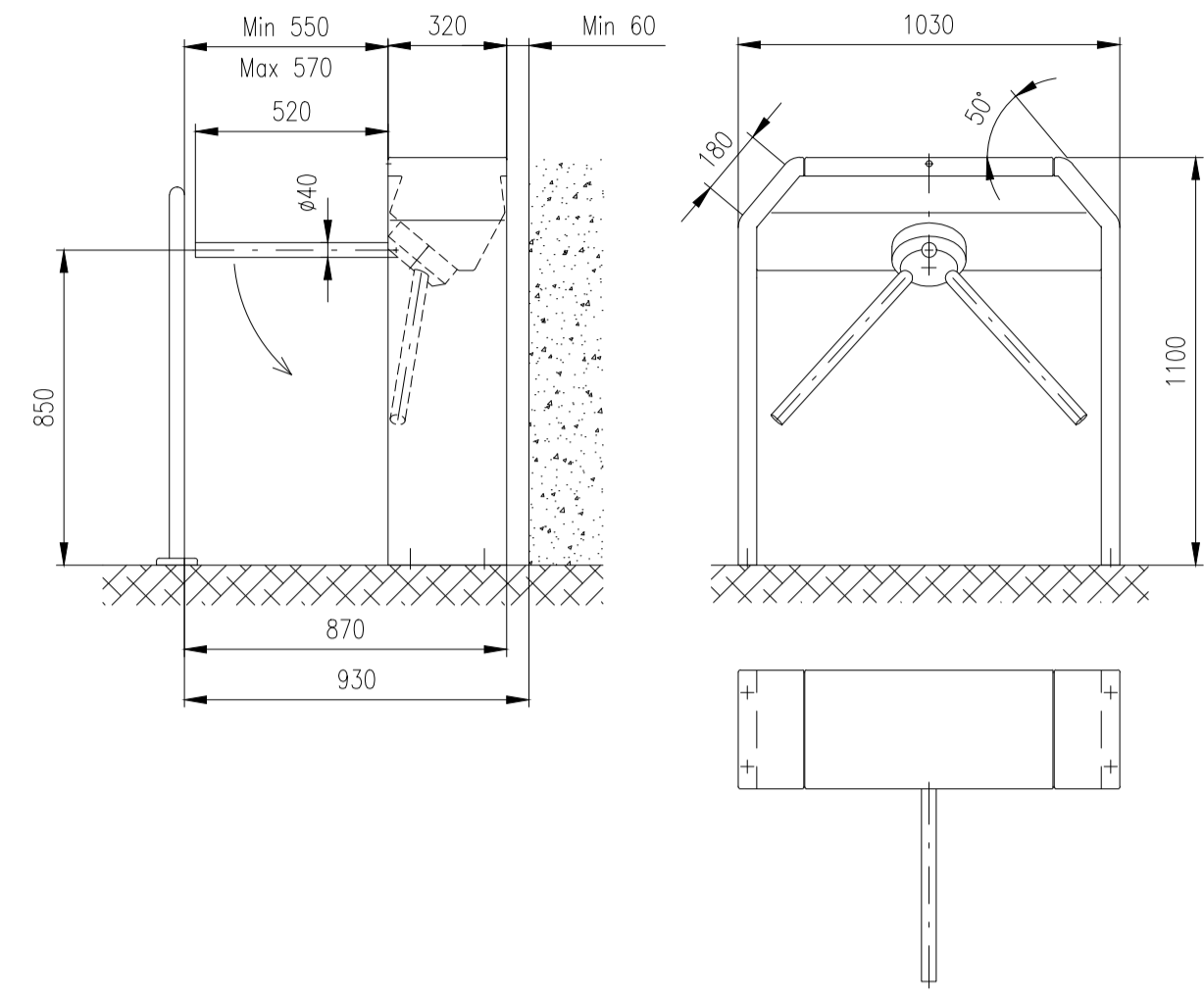


Design of turnstiles BAR

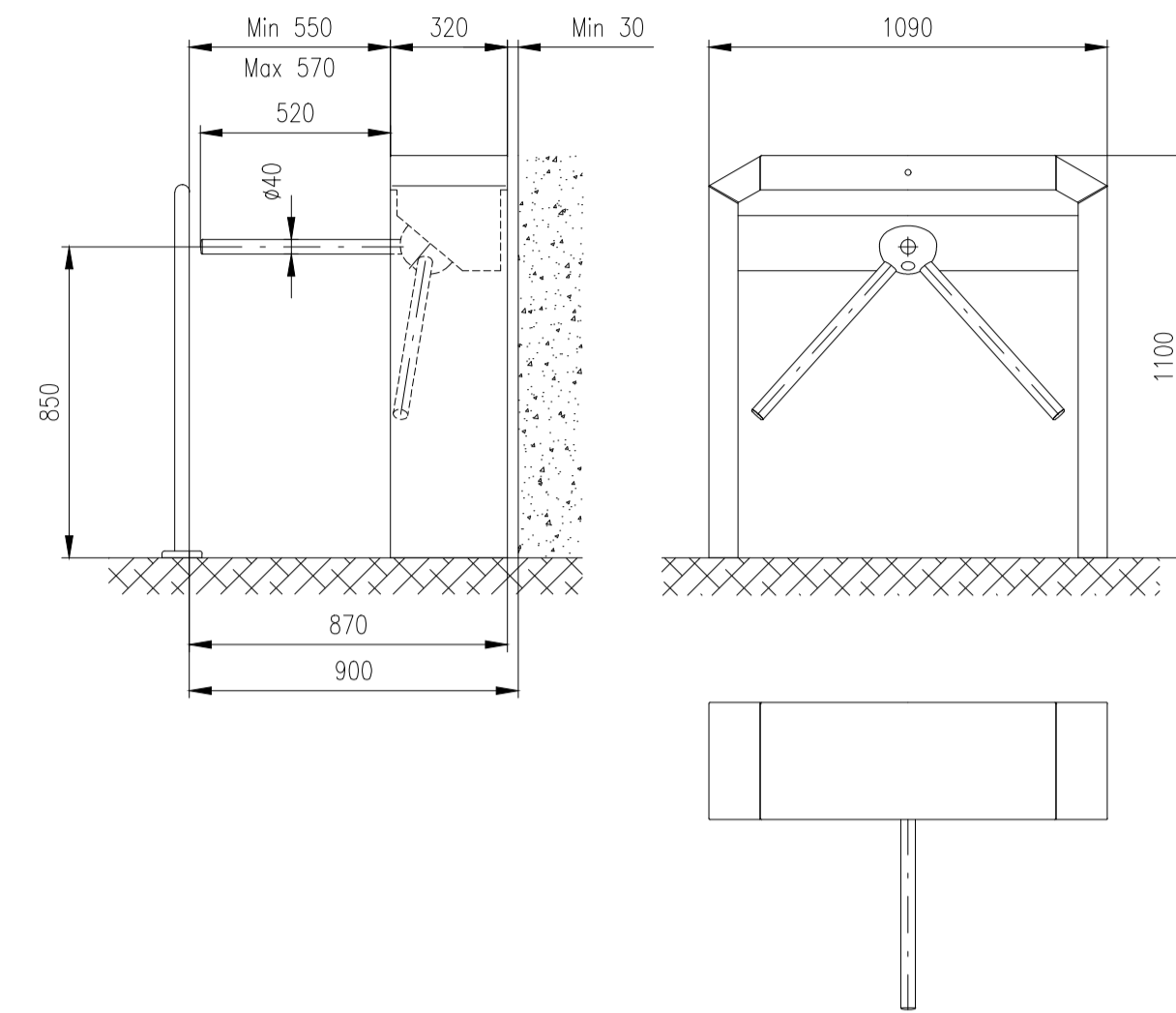
Turnstile: BAR-ST



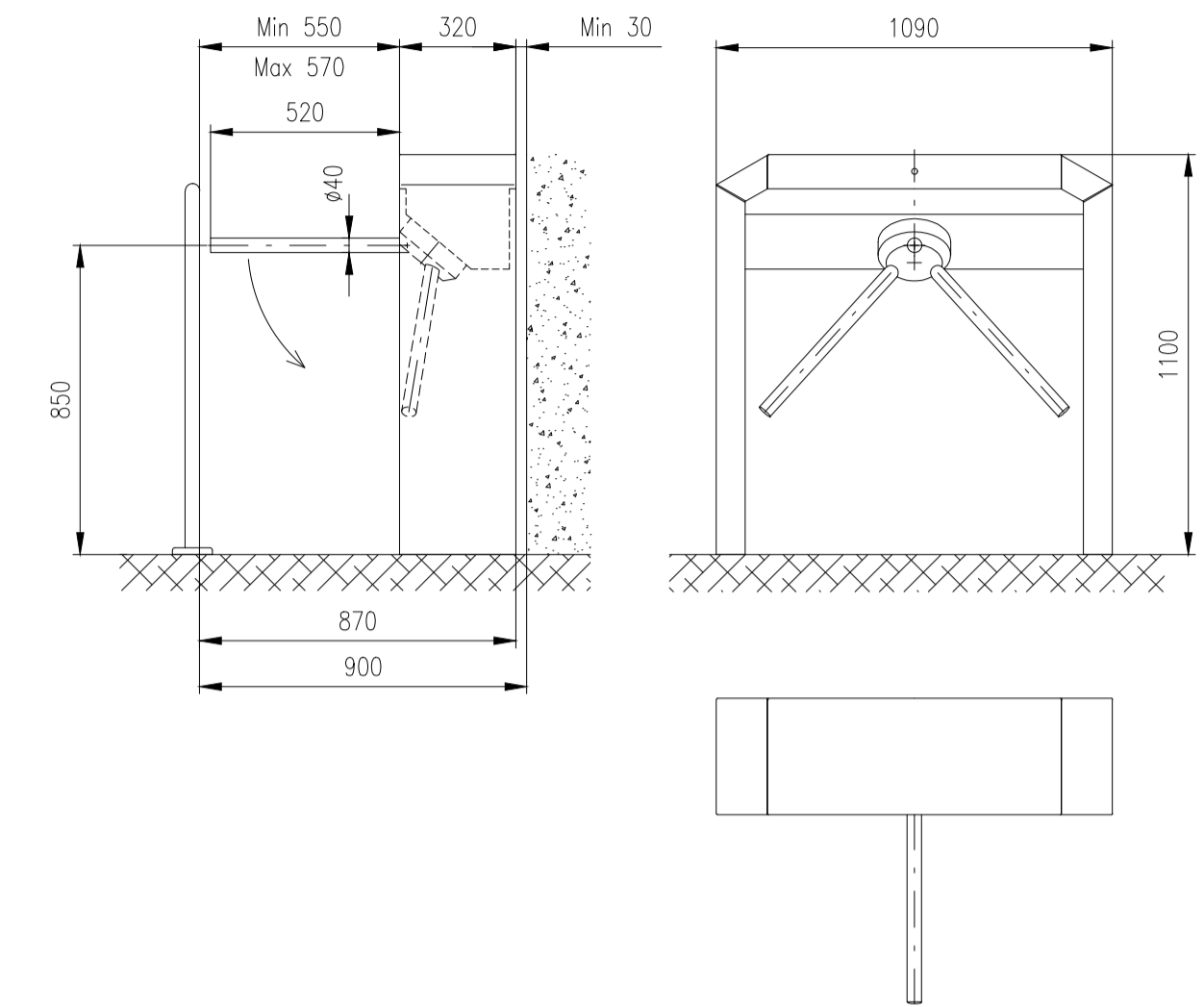
Turnstile: BAR-ST-DropArm



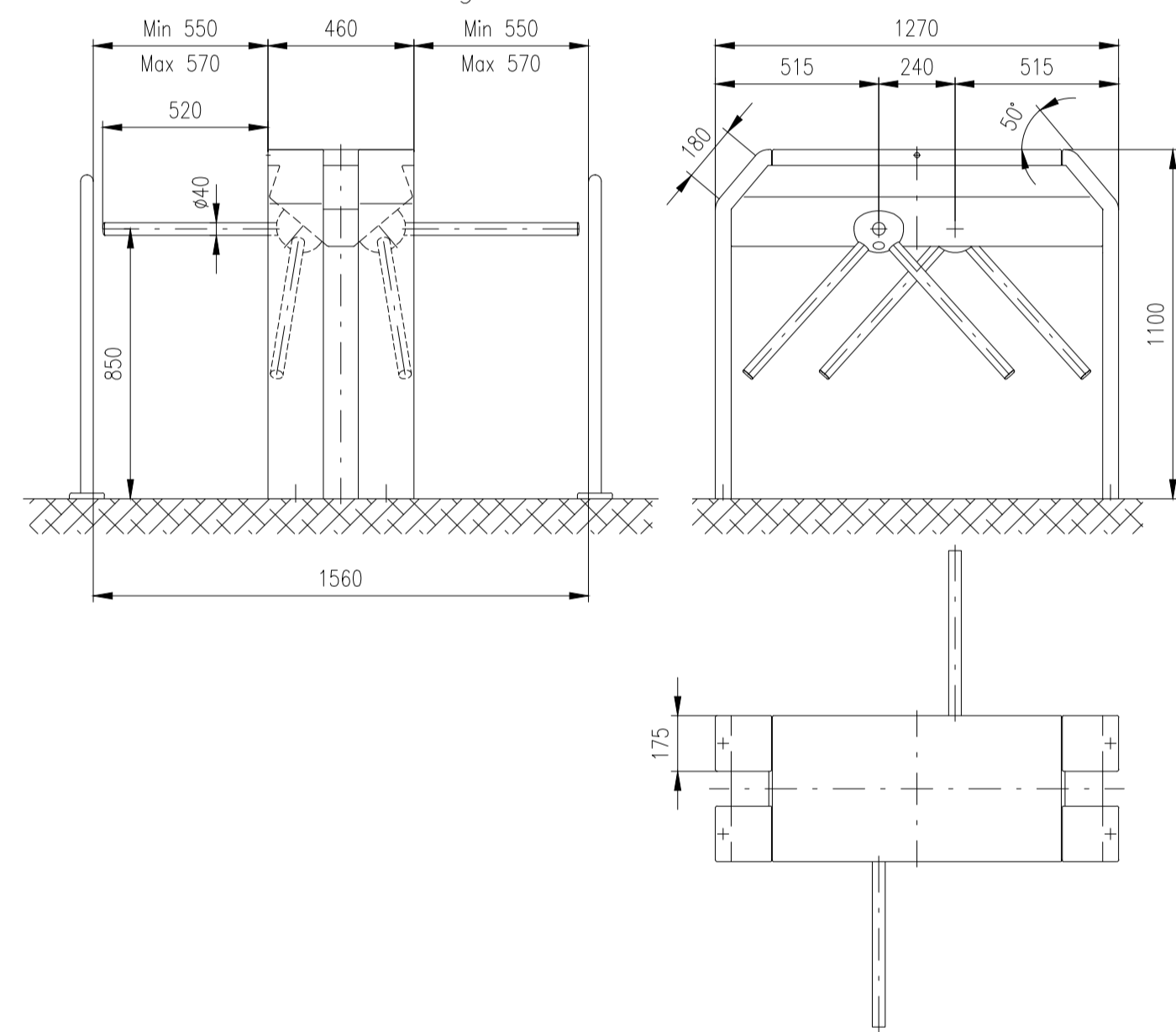
Turnstile: BAR-BA
Brushed stainless steel only



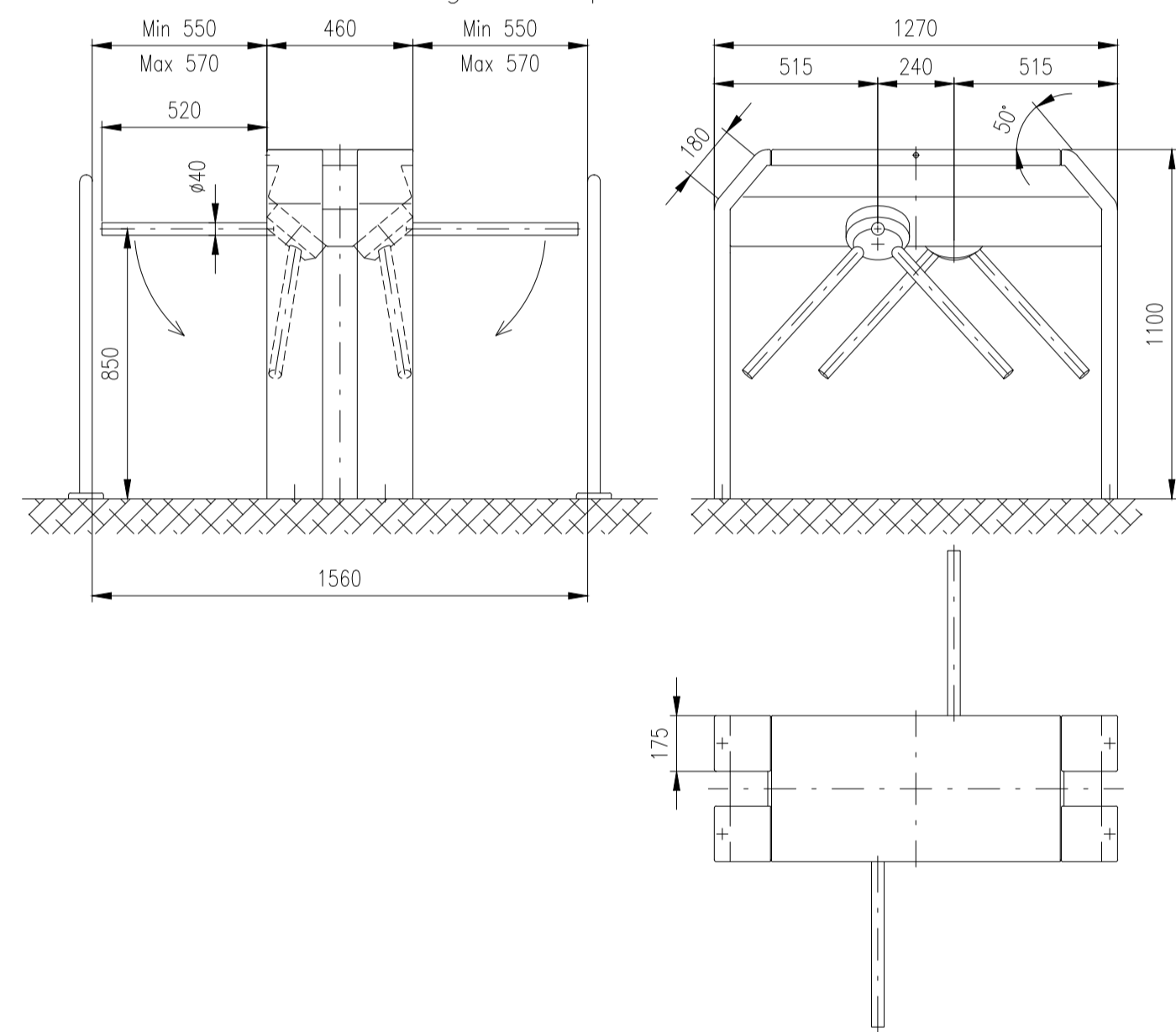
Turnstile: BAR-BA-DropArm
Brushed stainless steel only



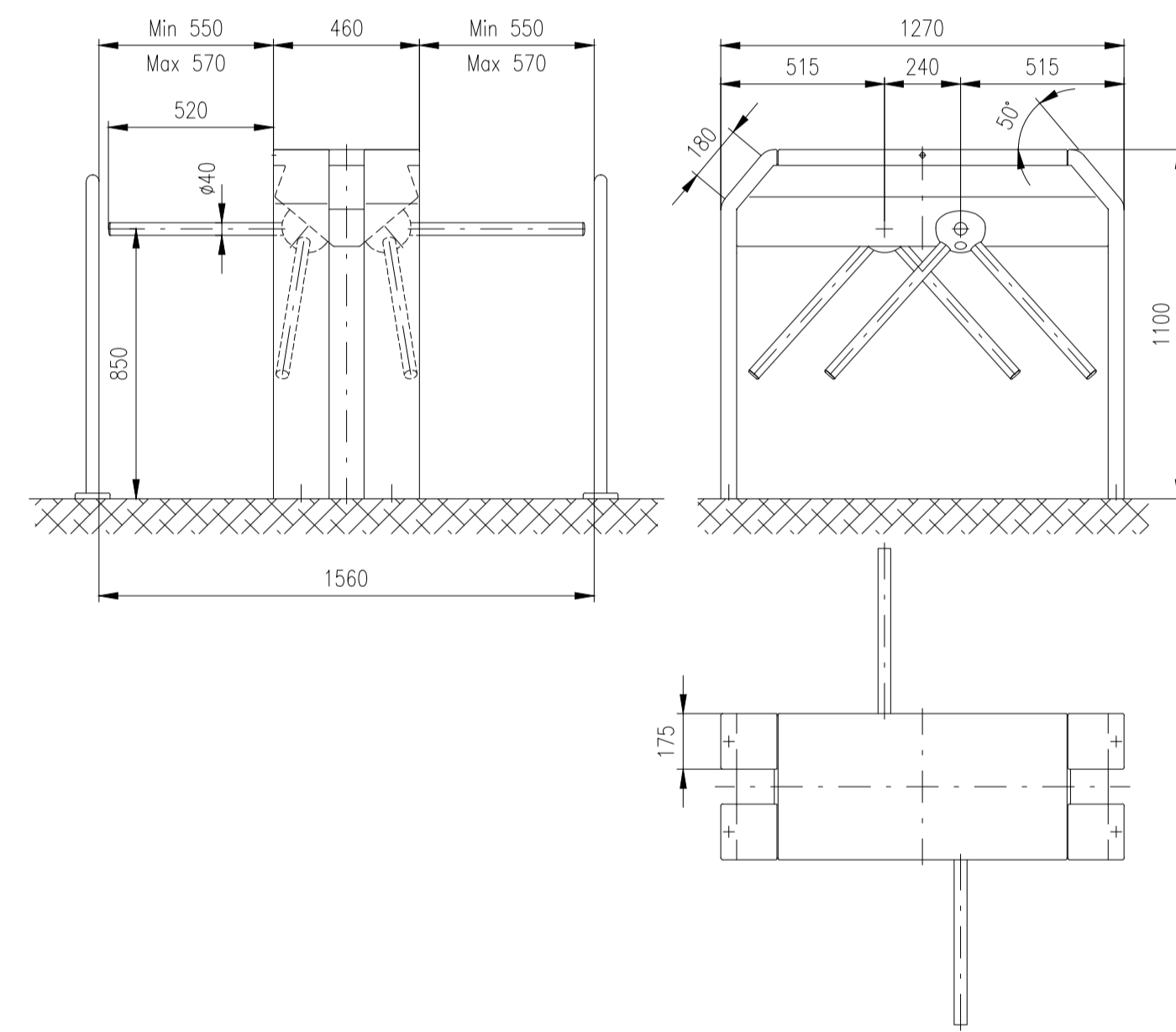
Turnstile: BAR-ST-DUO-Right



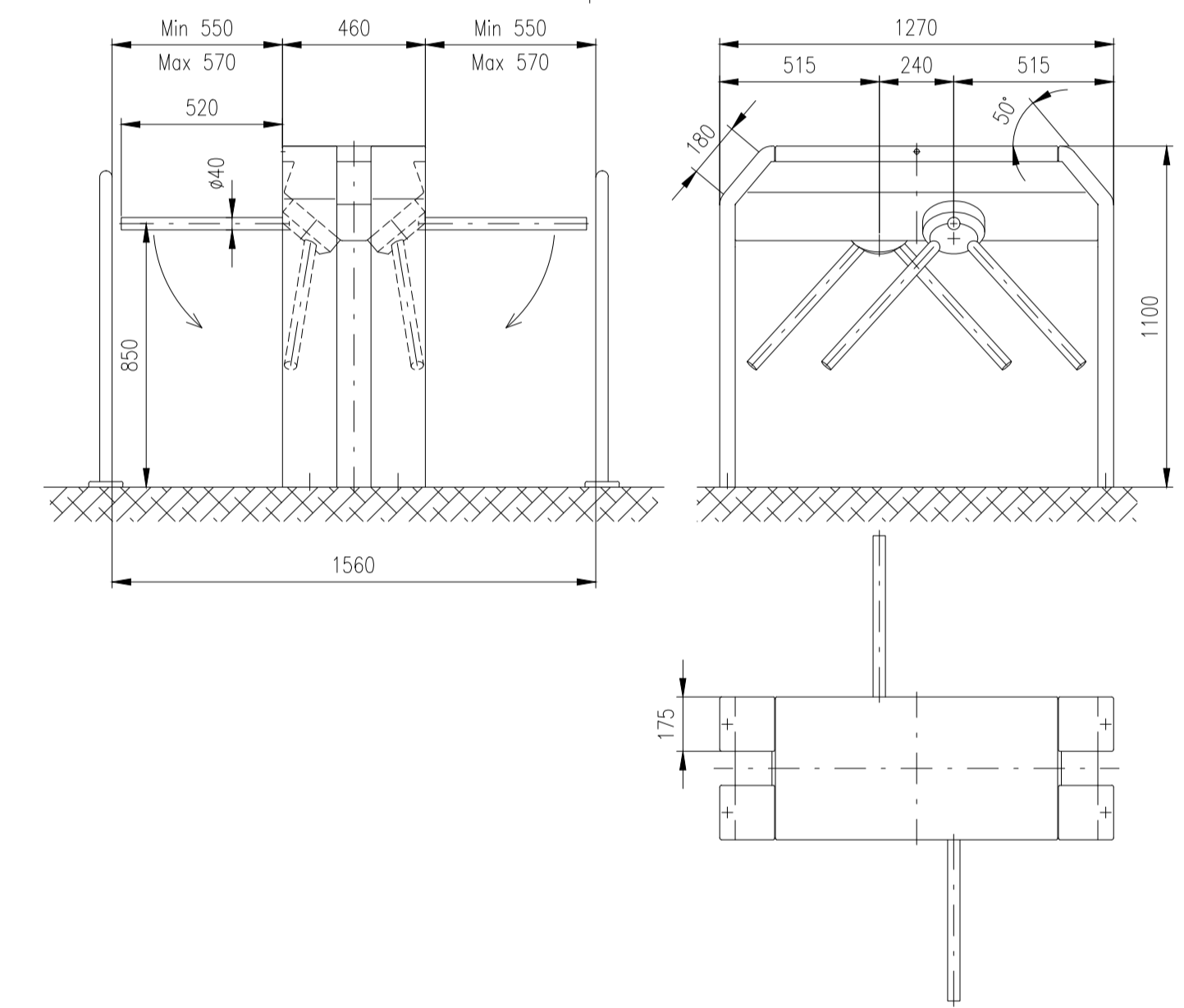
Turnstile: BAR-ST-DUO-Right-DropArm



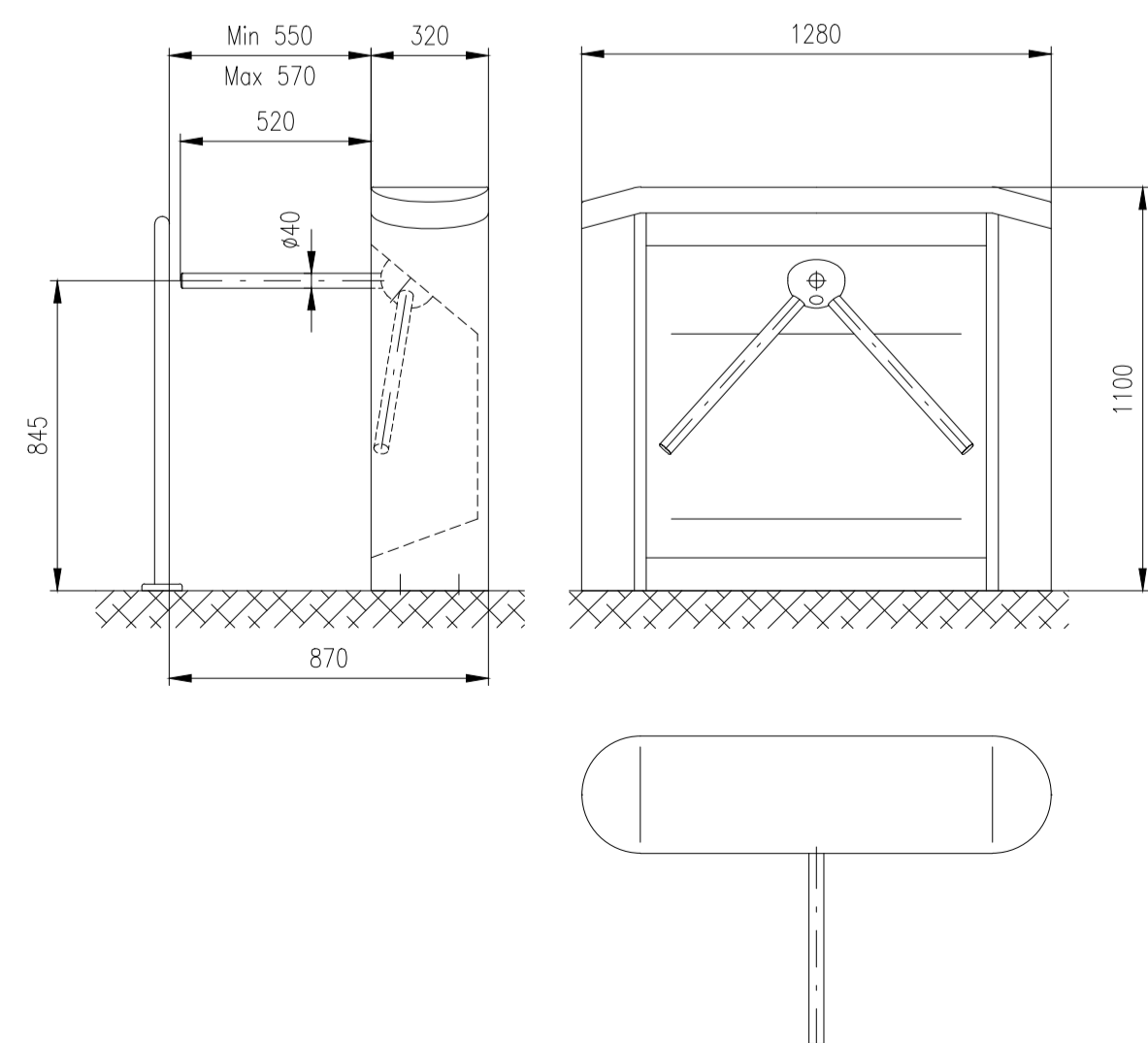
Turnstile: BAR-ST-DUO-Left



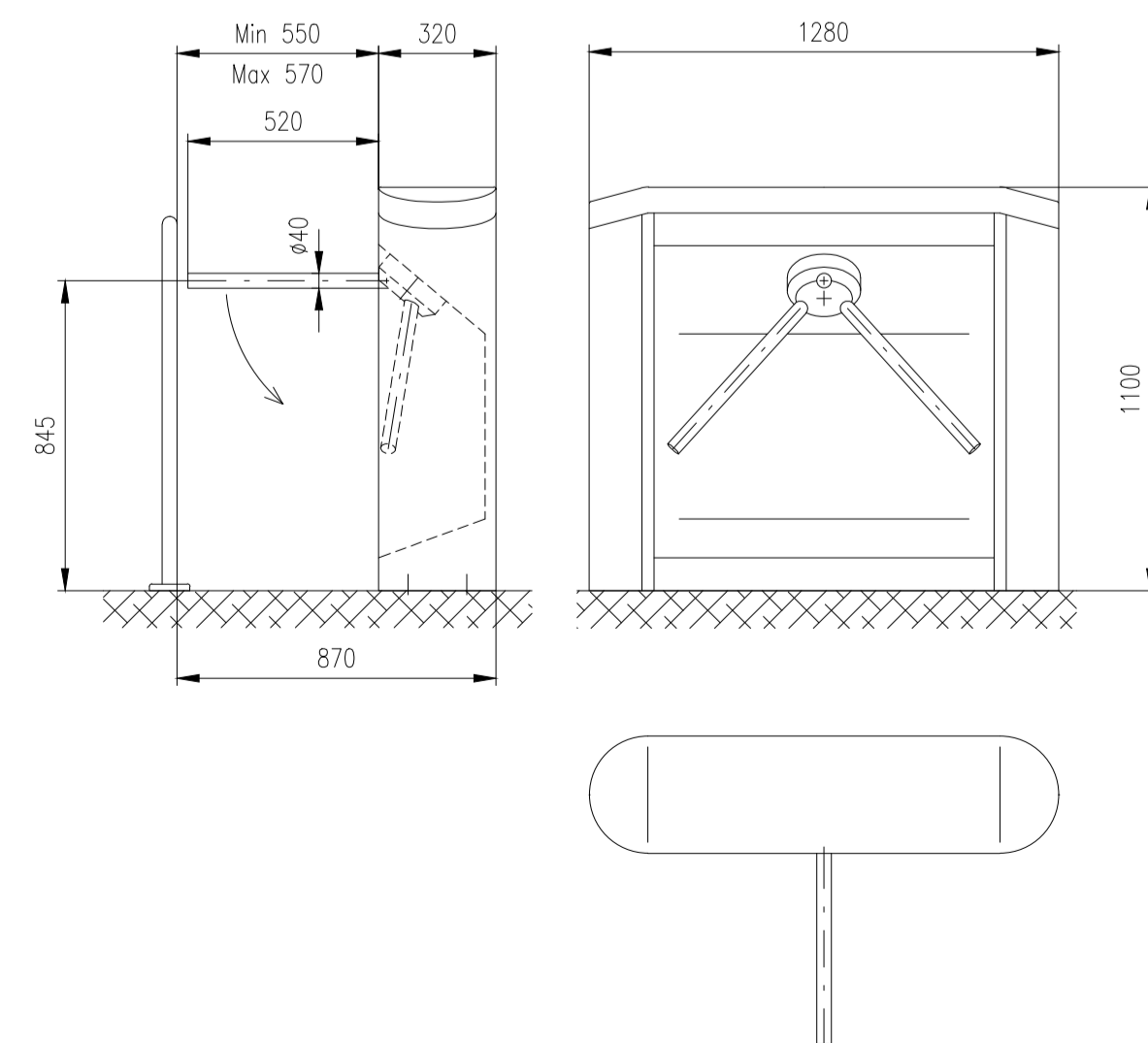
Turnstile: BAR-ST-DUO-Left-DropArm



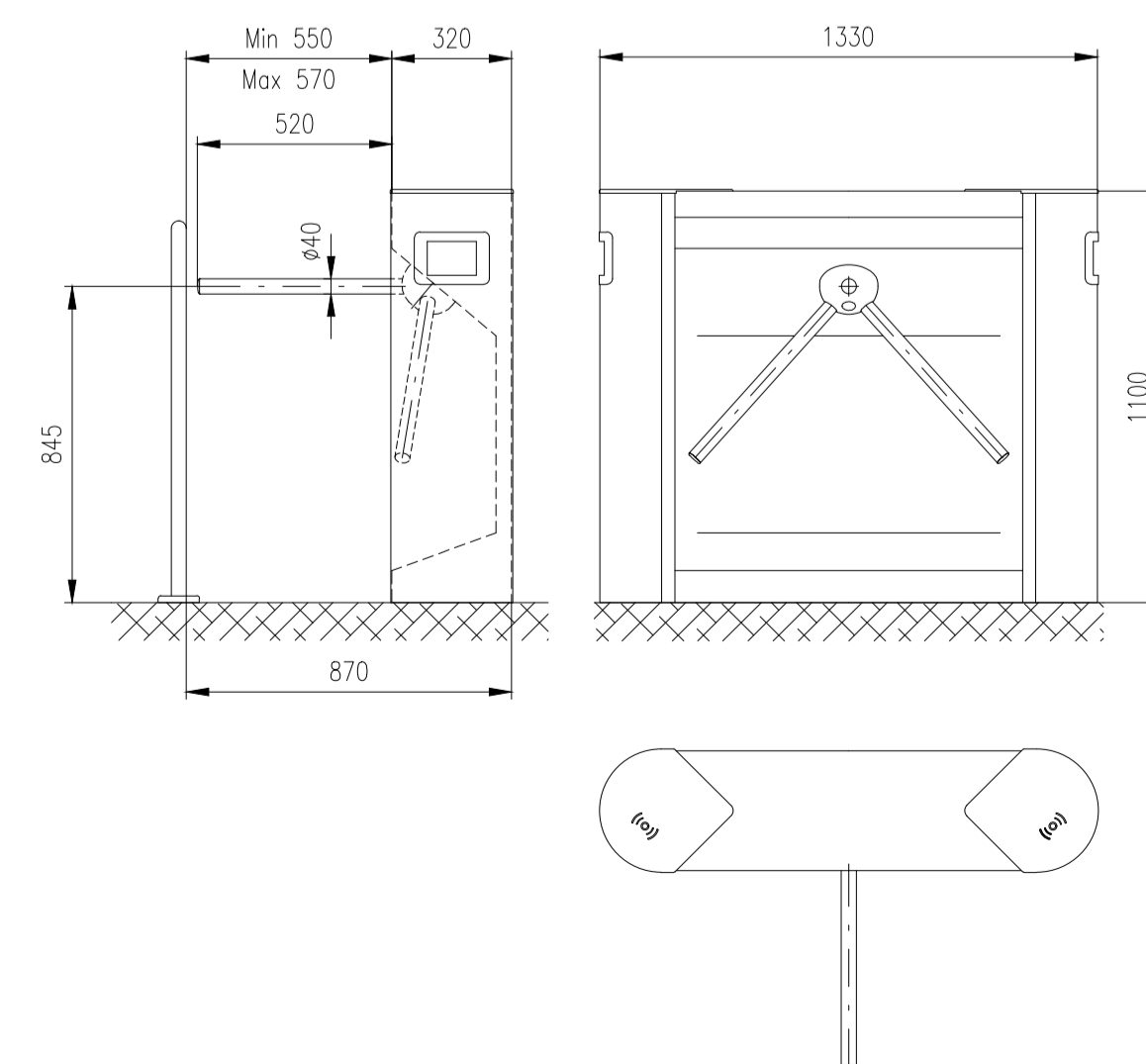
Turnstile: BAR-GX
Top lid: artificial marble



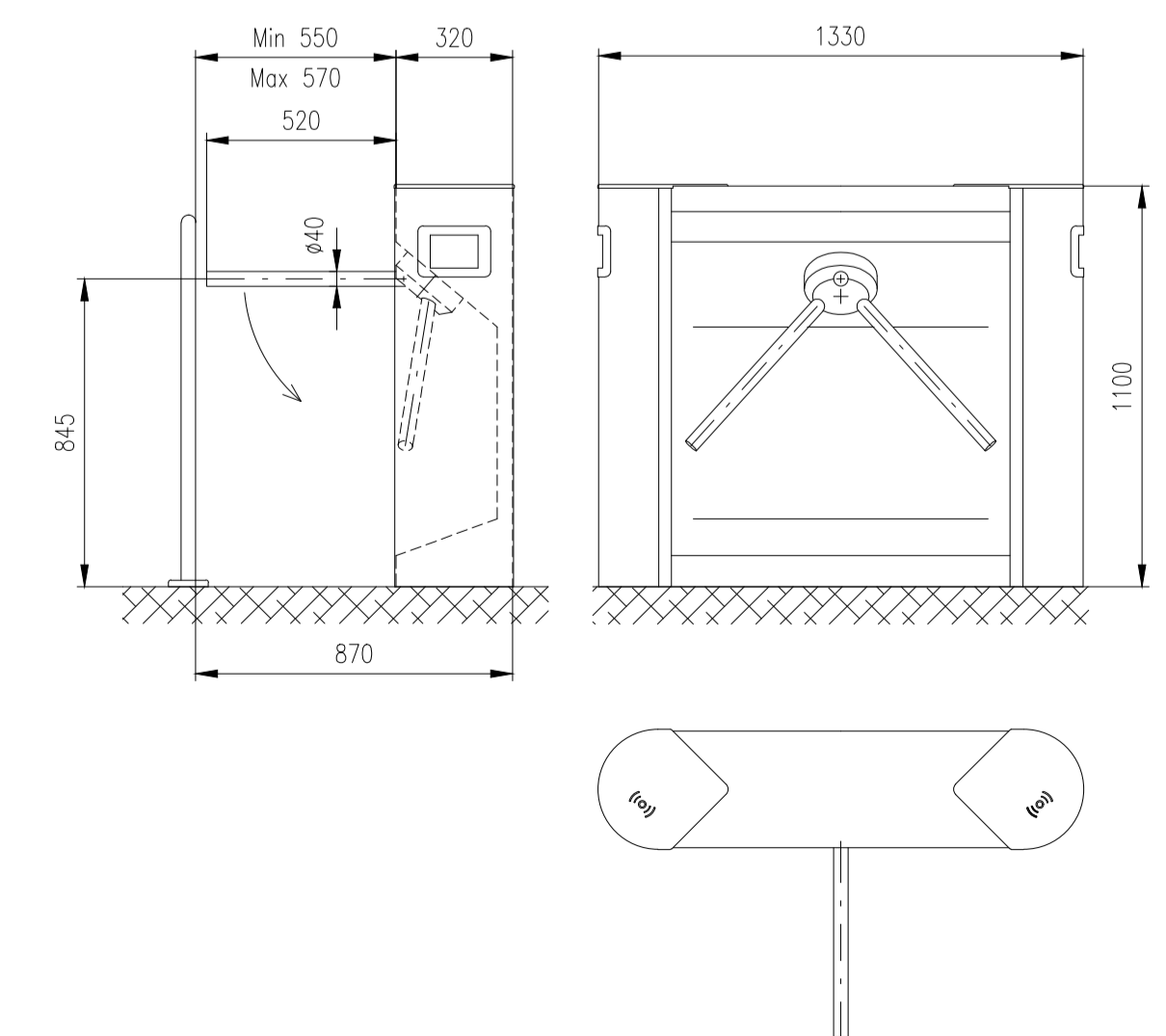
Turnstile: BAR-GX-DropArm
Top lid: artificial marble



Turnstile: BAR-GX
Top lid: stainless steel

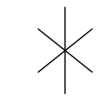
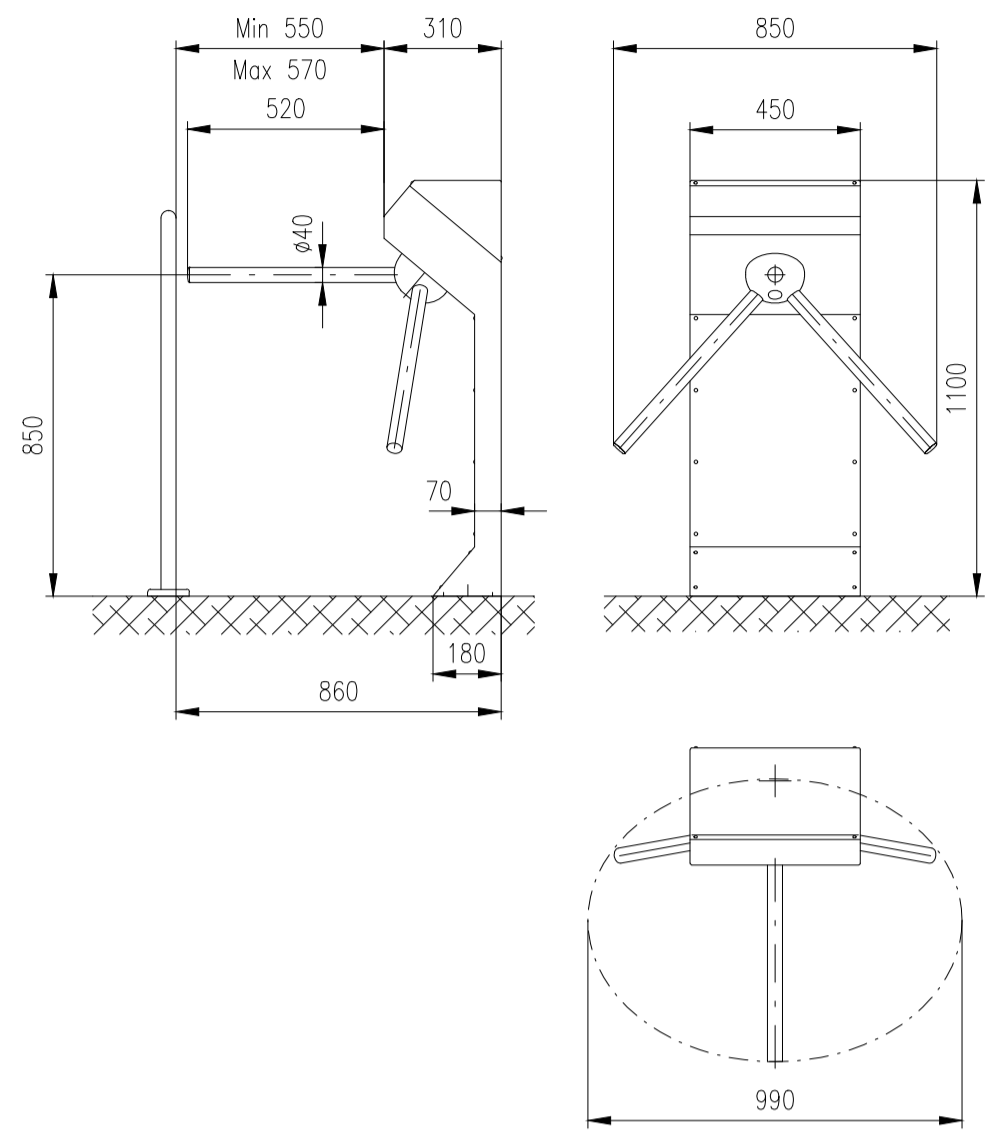


Turnstile: BAR-GX-DropArm
Top lid: stainless steel

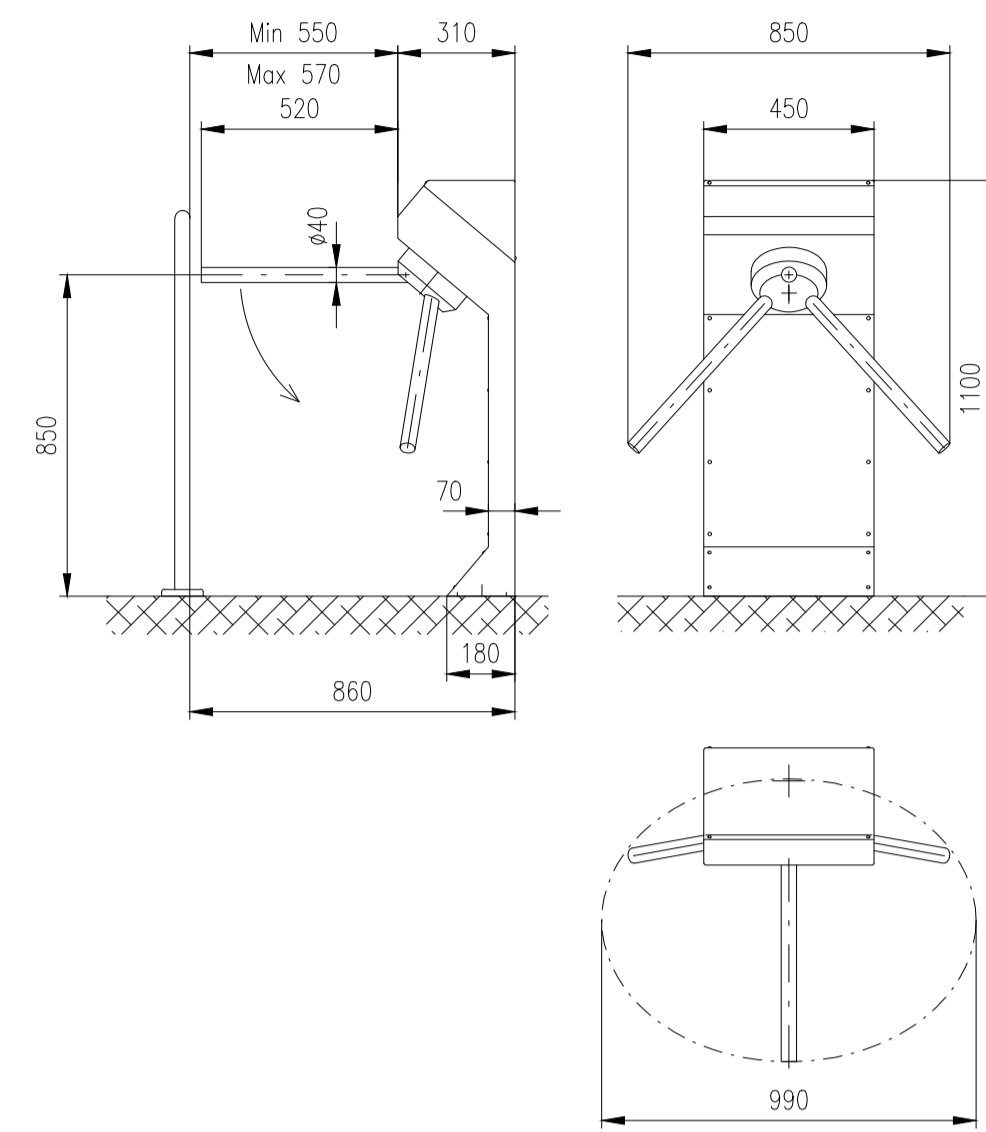


Design of turnstiles: BAR

Turnstile: BAR-EC

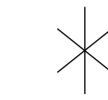
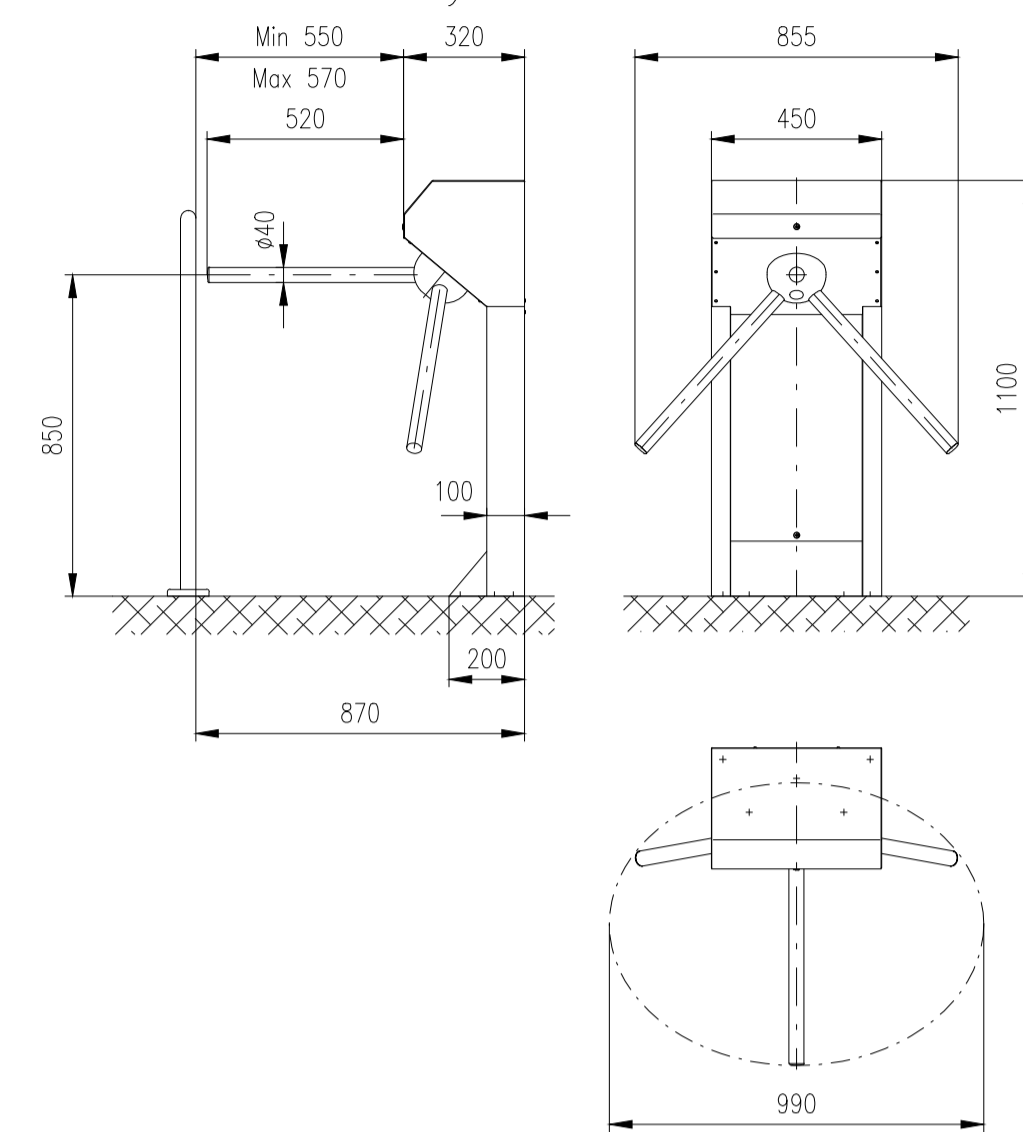


Turnstile: BAR-EC-DropArm



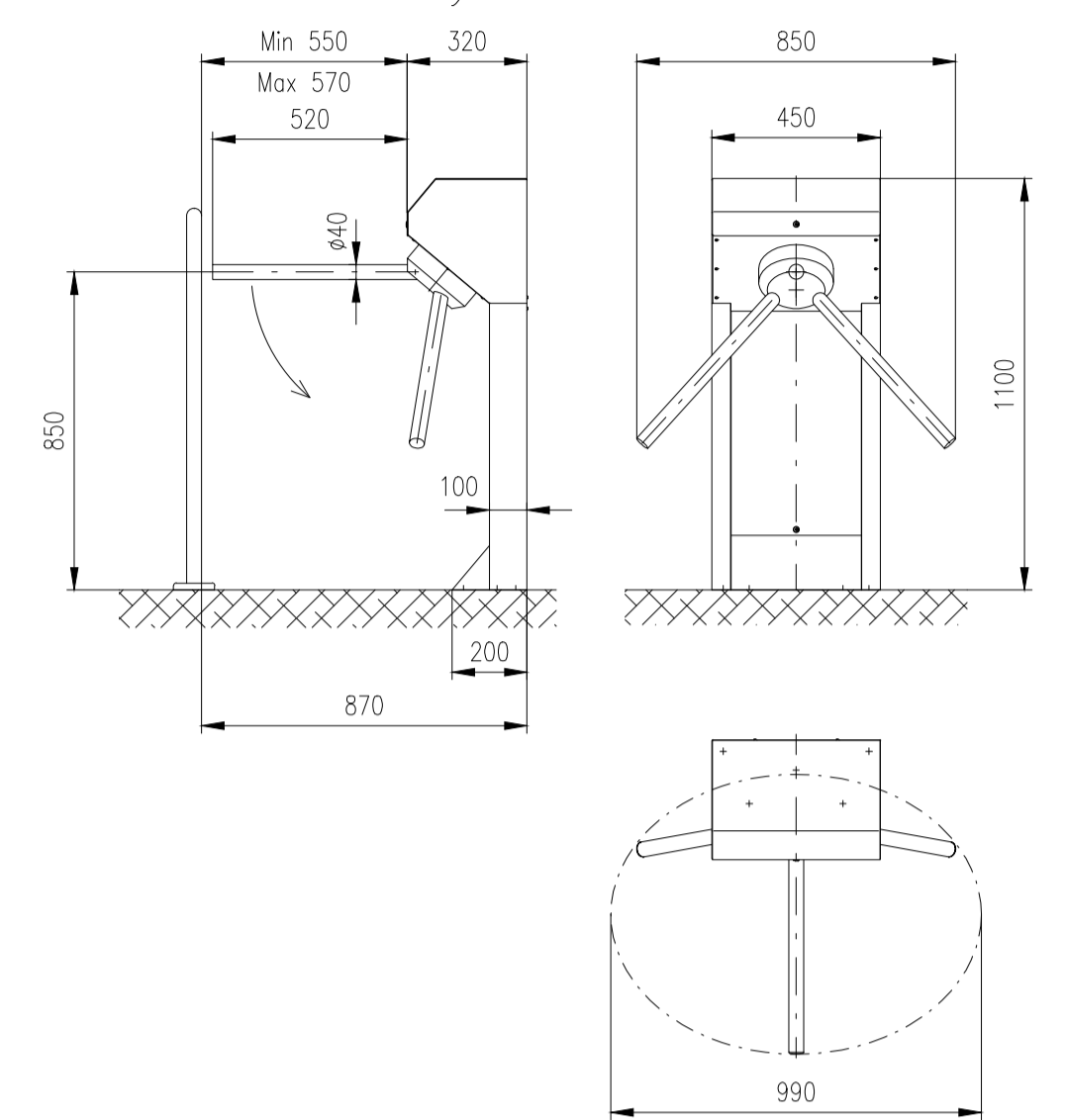
Turnstile: BAR-EK

Brushed stainless steel only

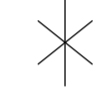
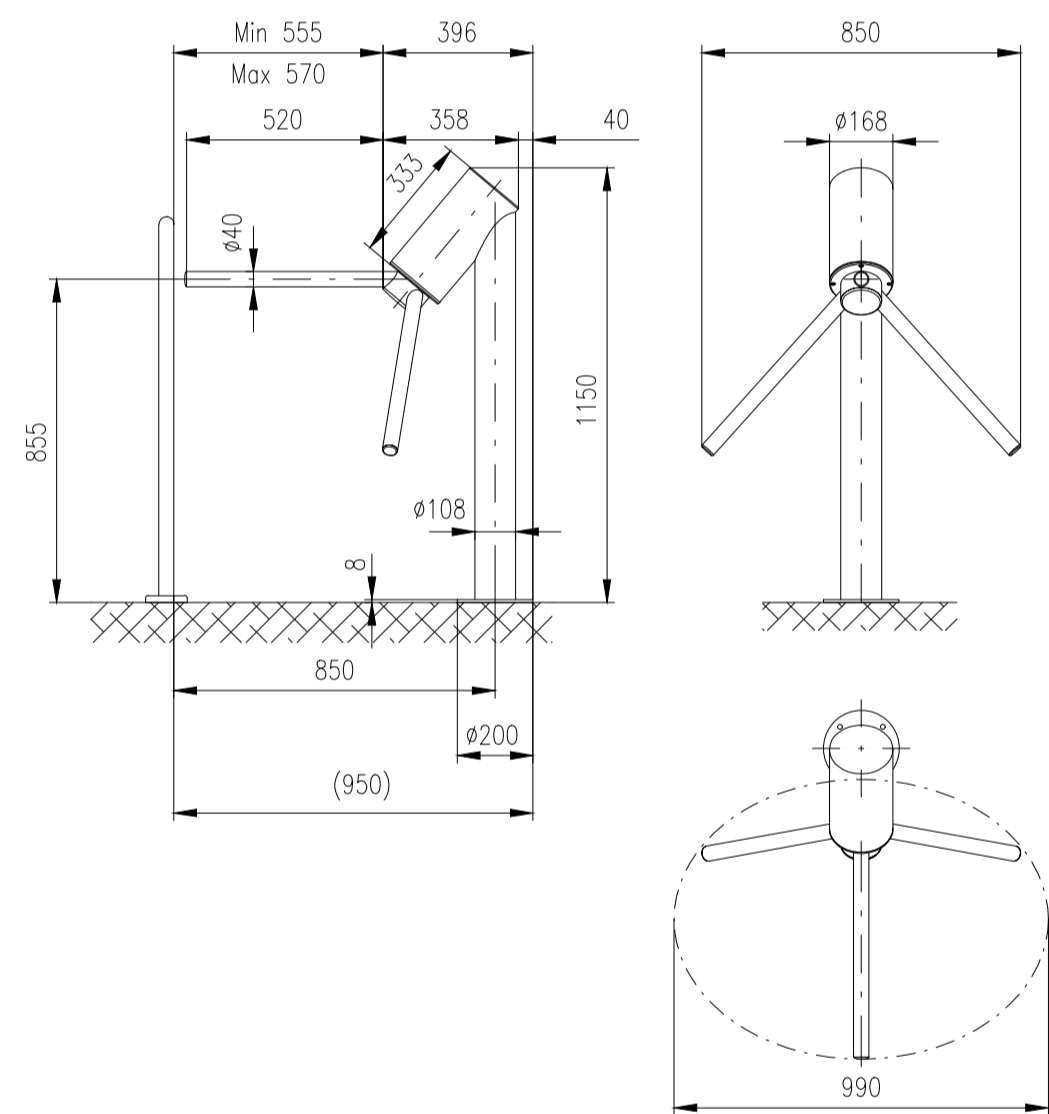


Turnstile: BAR-EK-DropArm

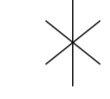
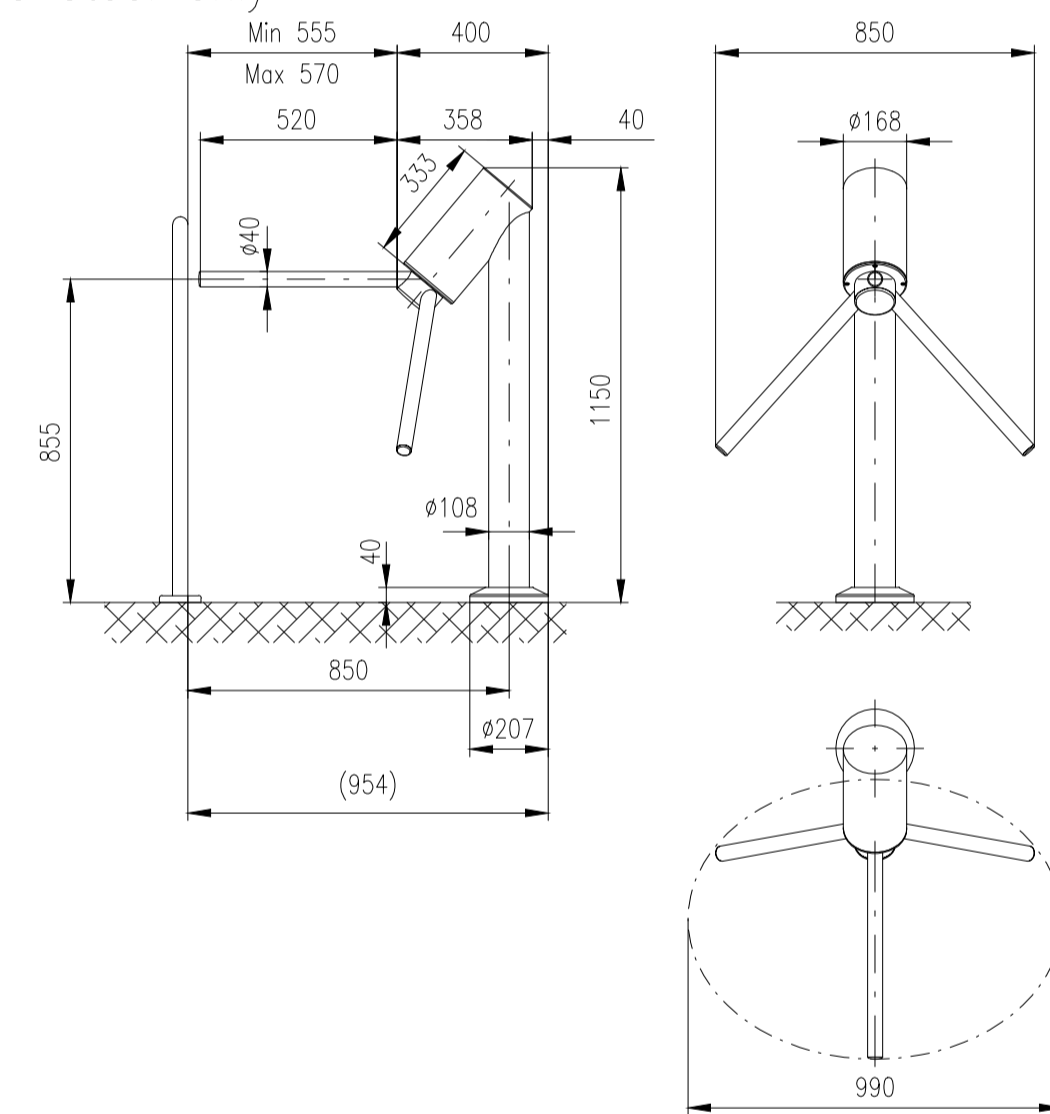
Brushed stainless steel only



Turnstile: BAR-SKR

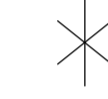
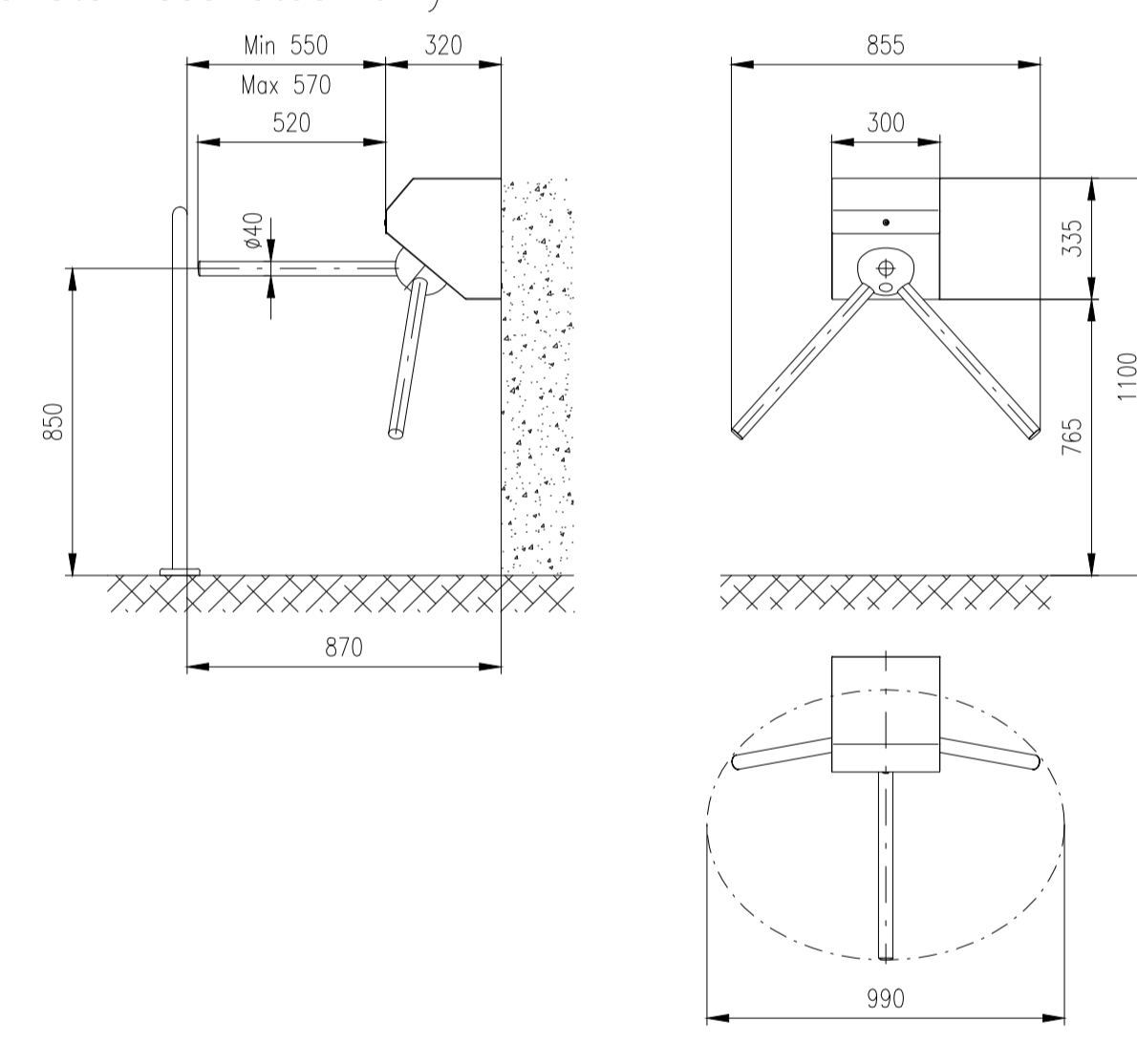


Turnstile: BAR-SKR
Stainless steel only



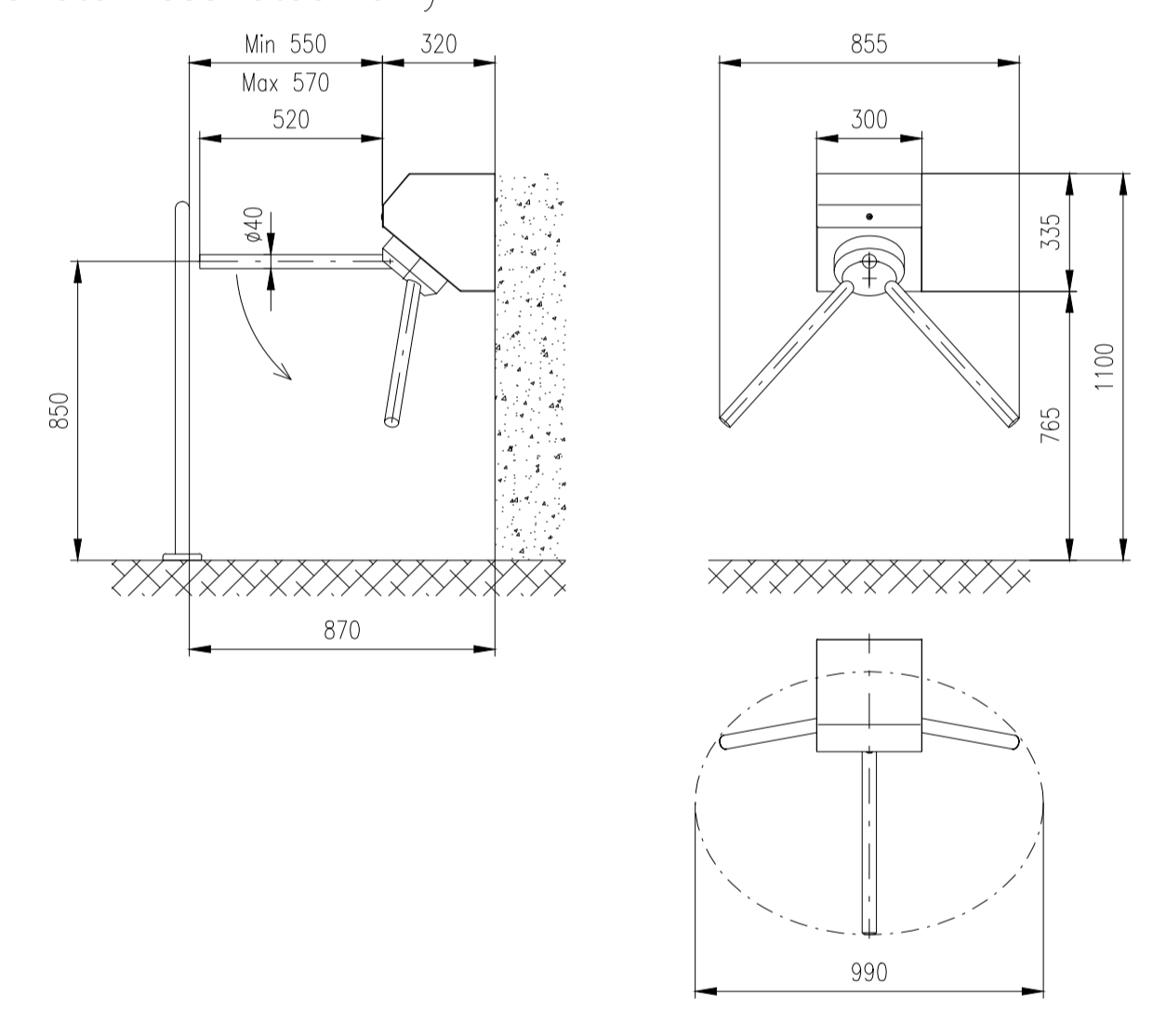
Turnstile: BAR-EK-WALL

Brushed stainless steel only

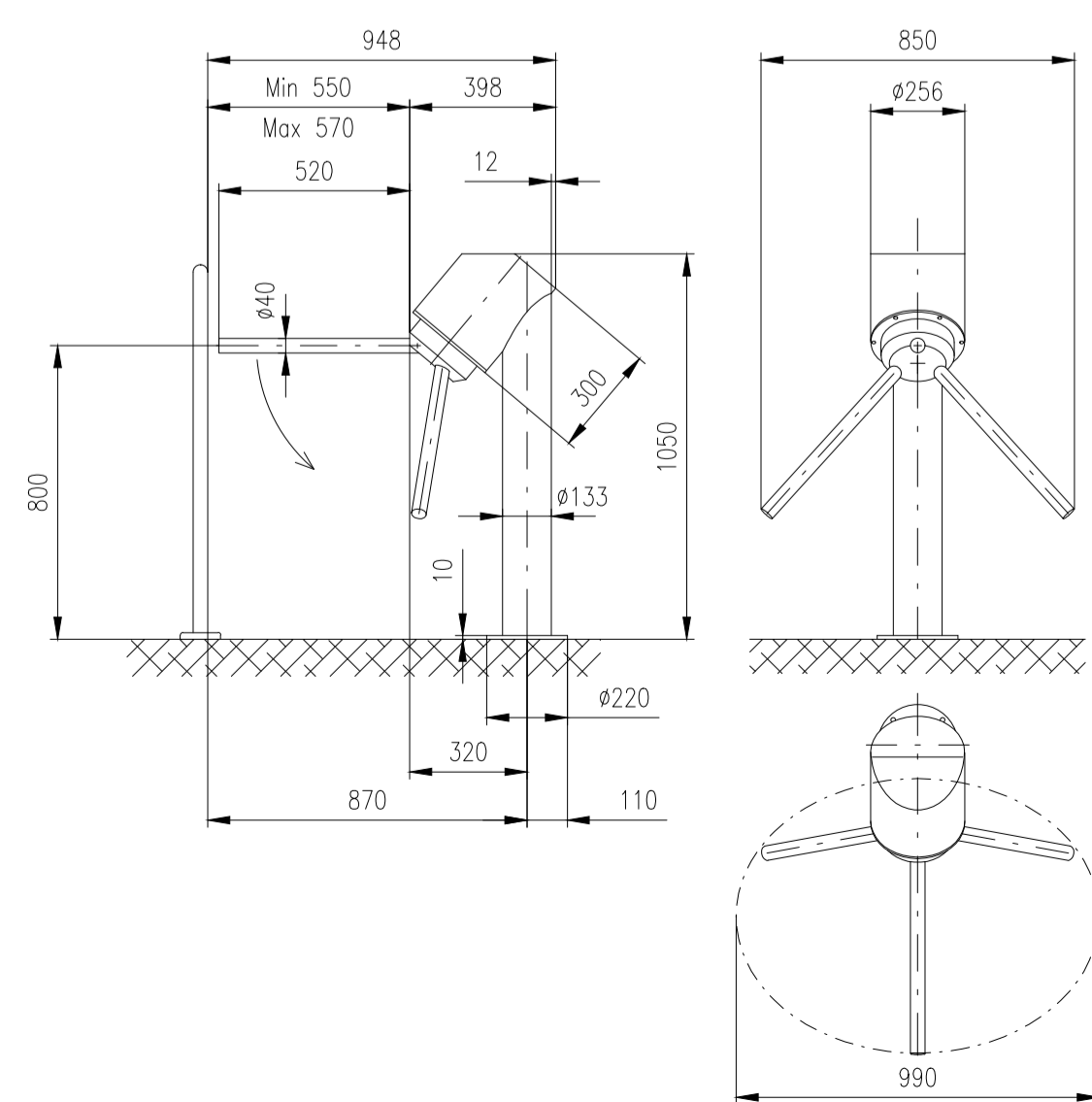


Turnstile: BAR-EK-WALL-DropArm

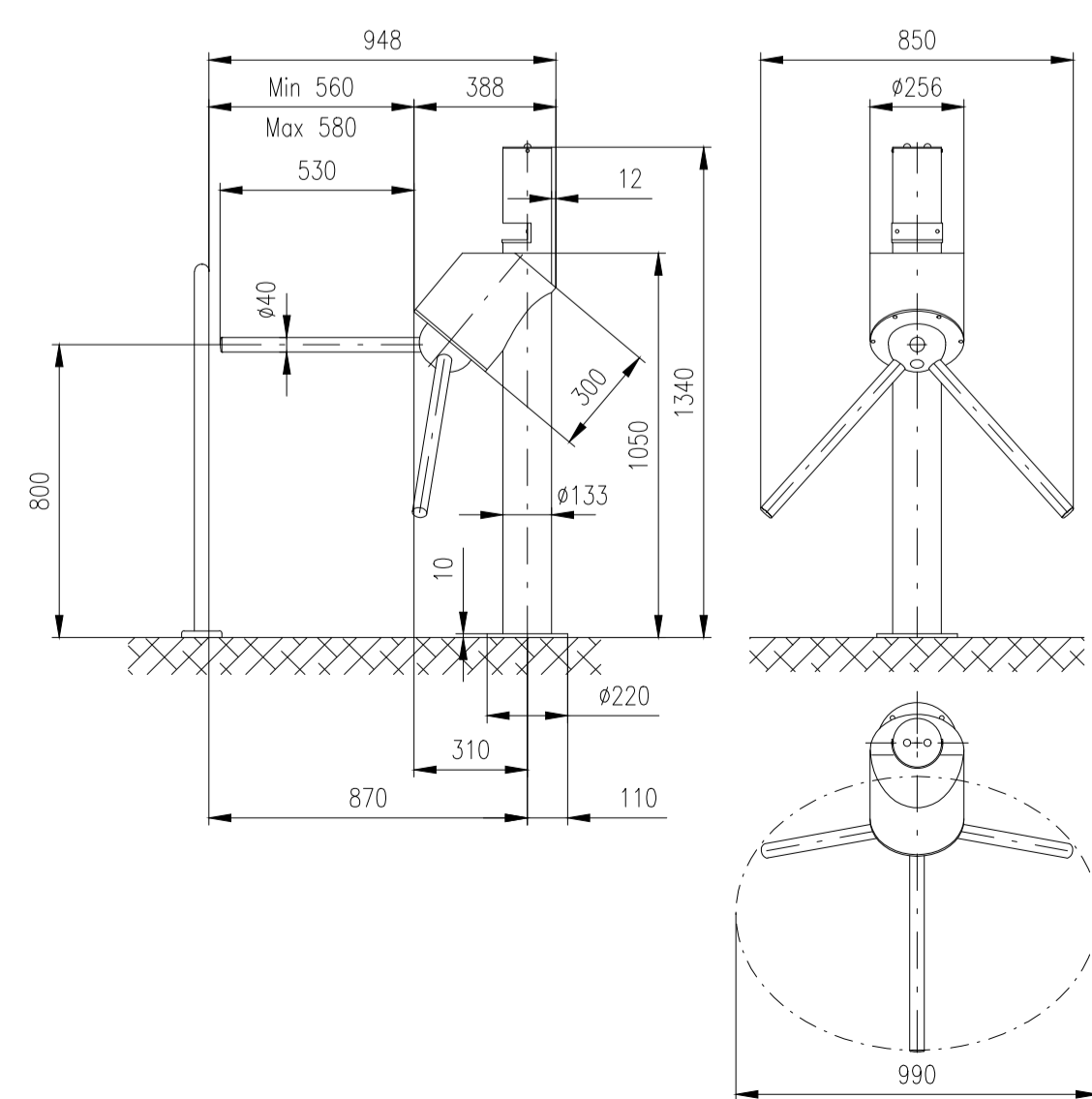
Brushed stainless steel only



Turnstile: BAR-SKR-DropArm

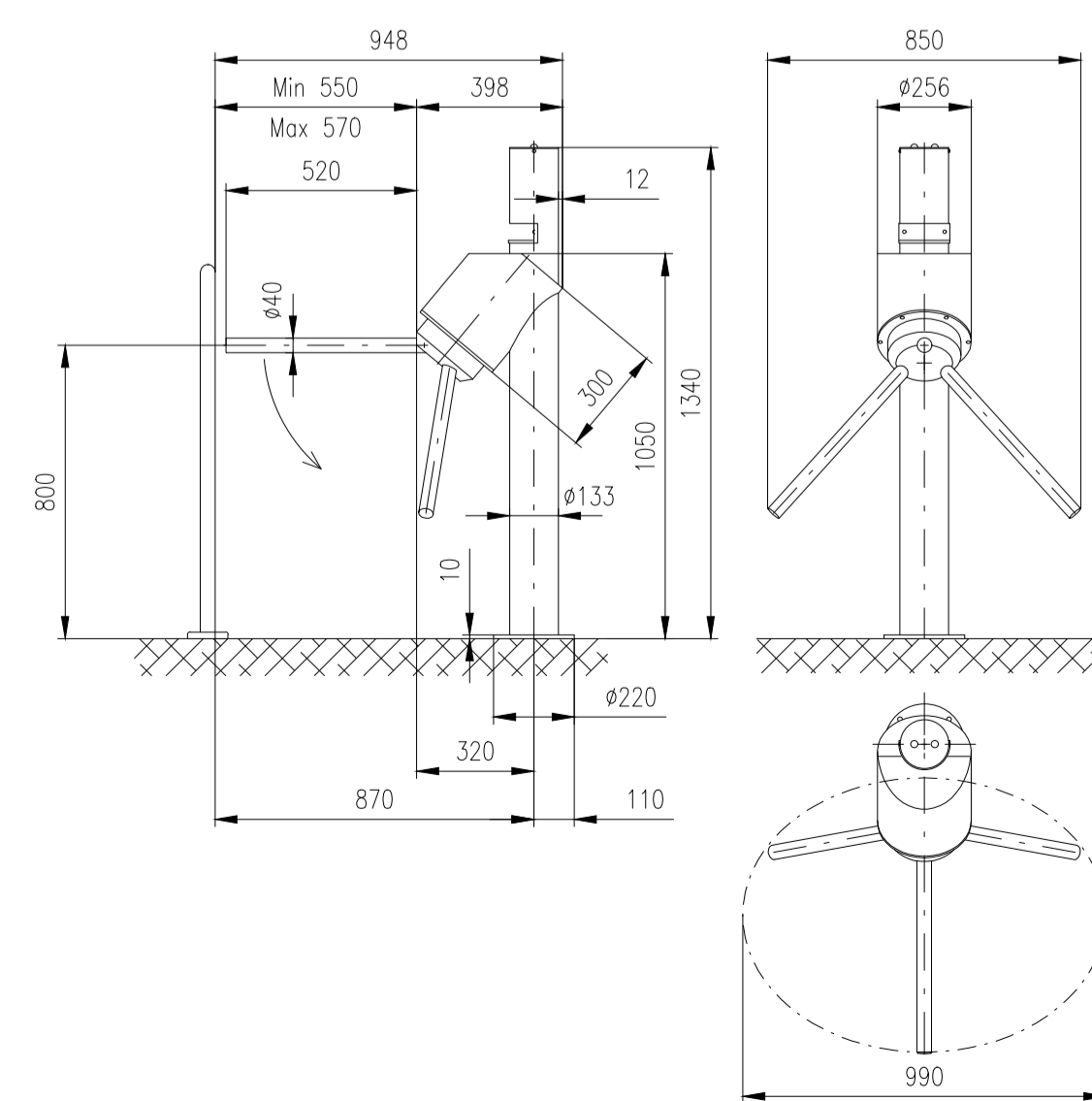


Turnstile: BAR-SKR-Ticket
Scanner, LED (red and green), RFID head

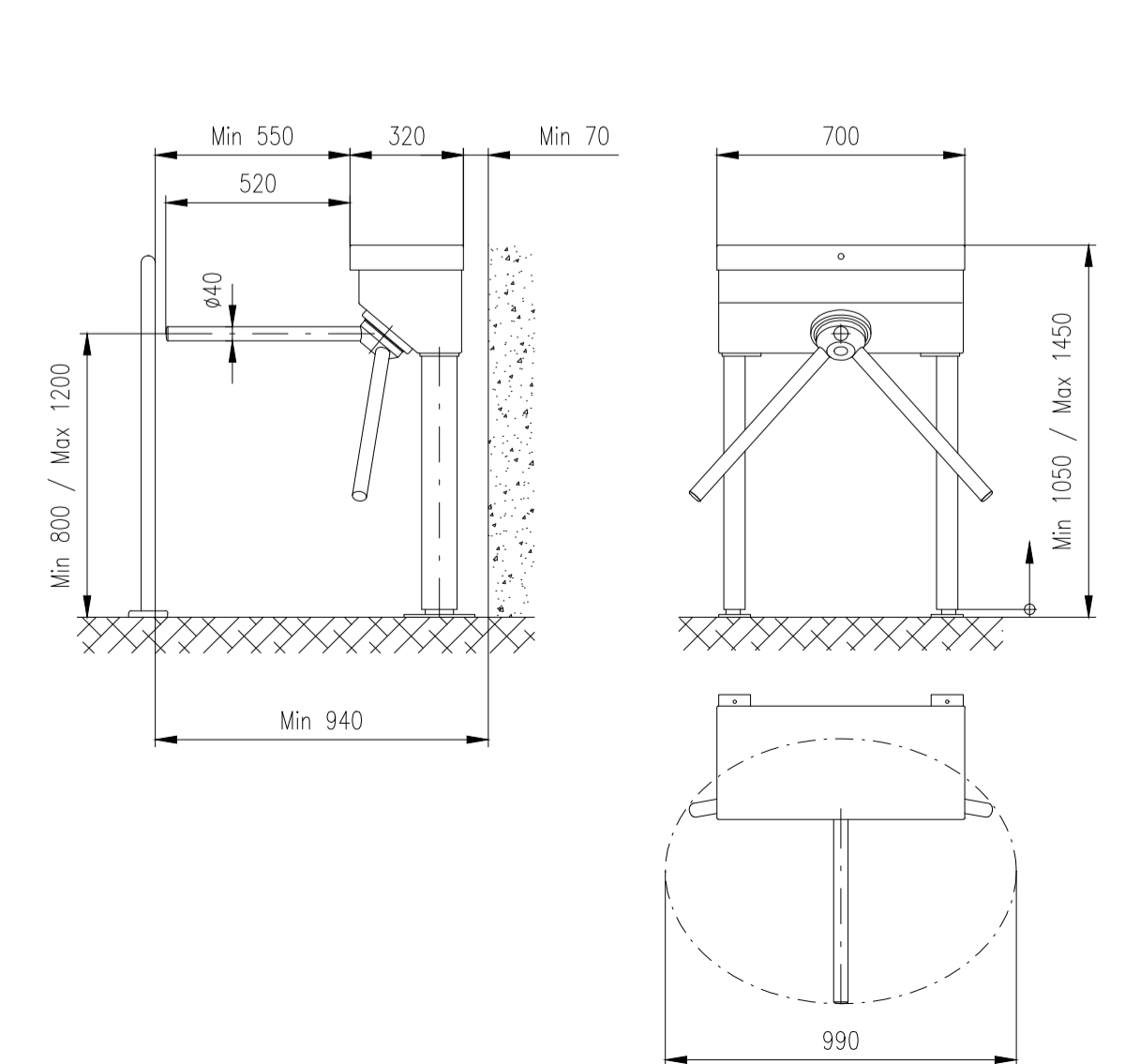


Turnstile: BAR-SKR-Ticket-DropArm

Scanner, LED (red and green), RFID head

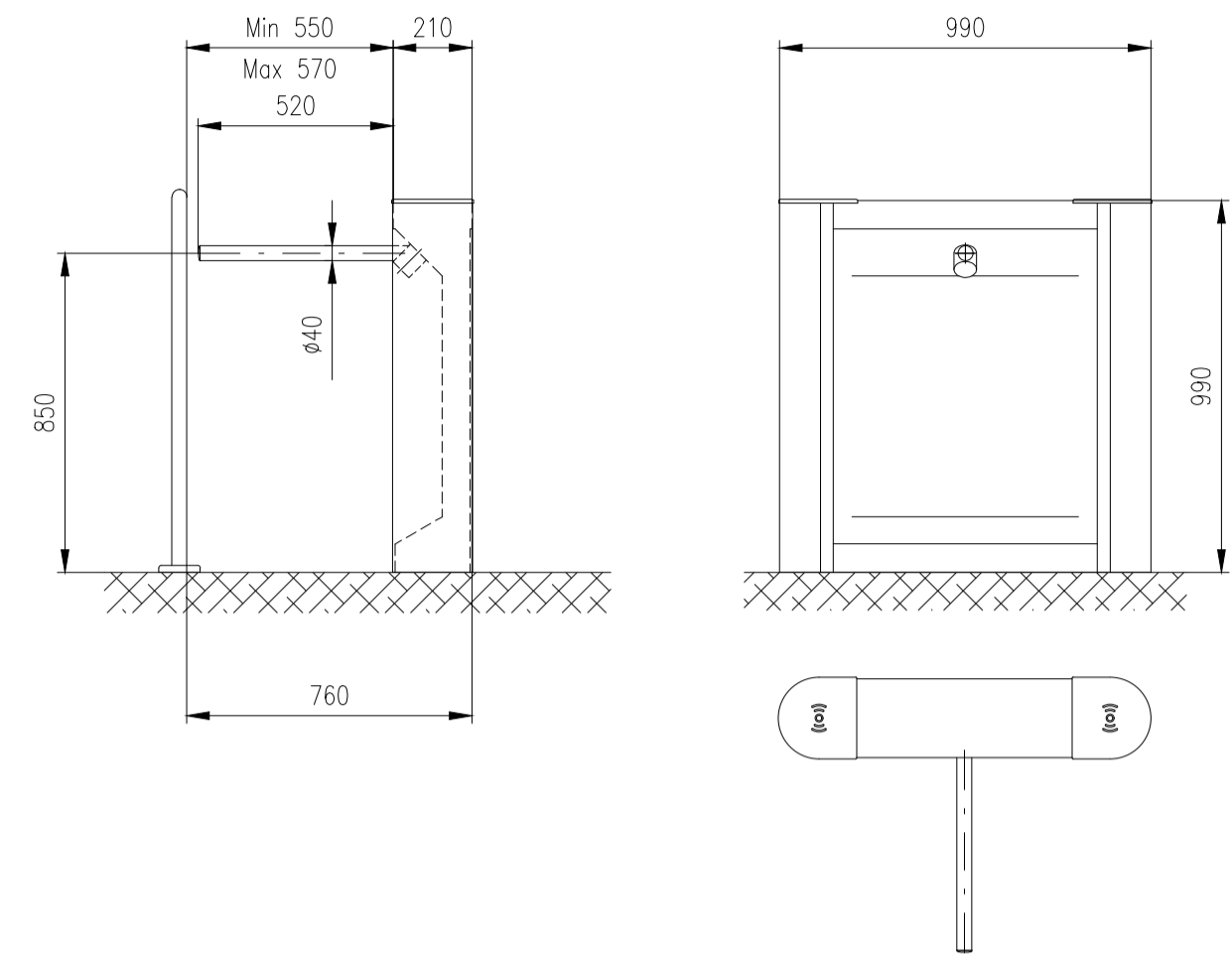


Turnstile: BAR-WN

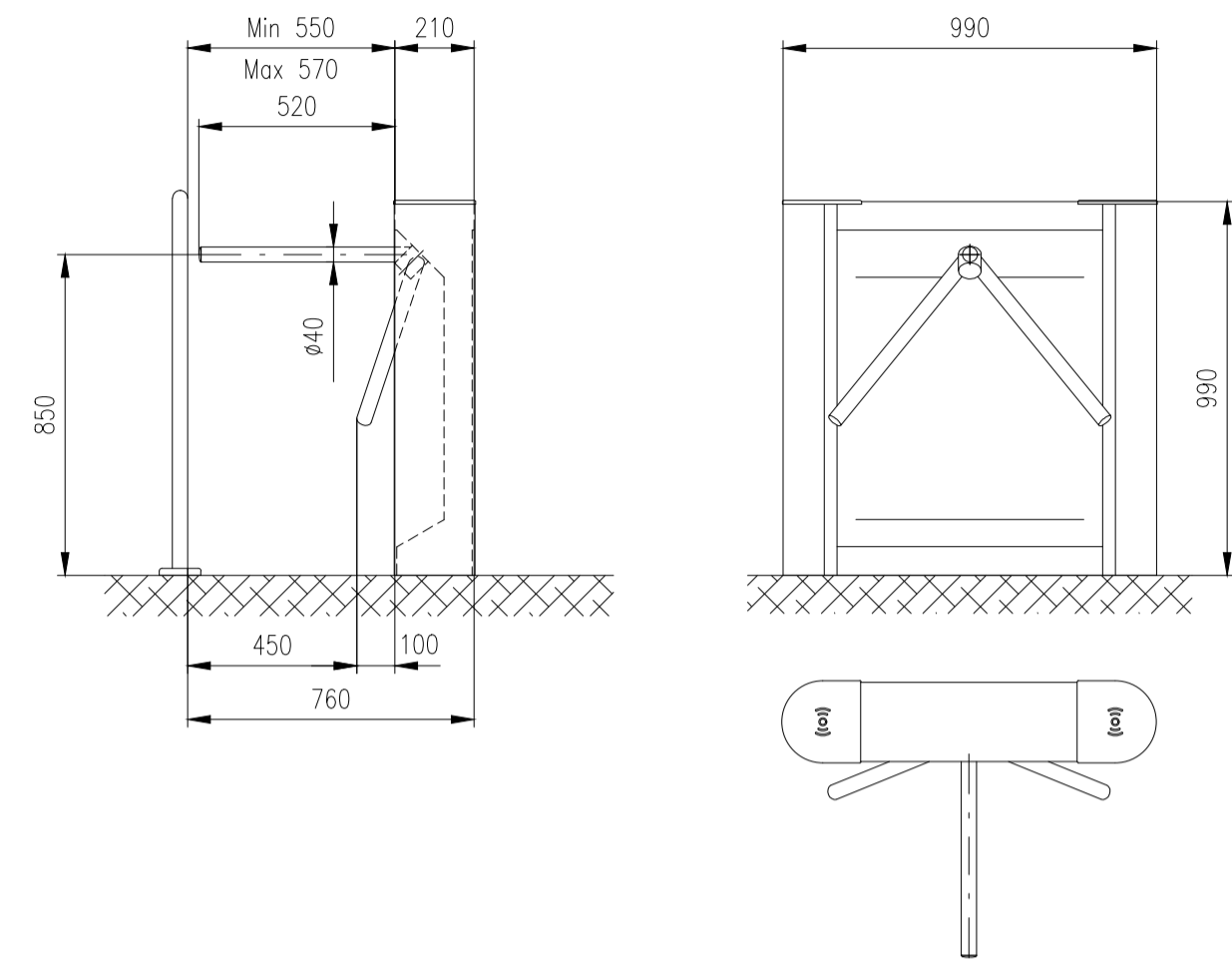


Design of turnstiles: BAR (Drive MDD)

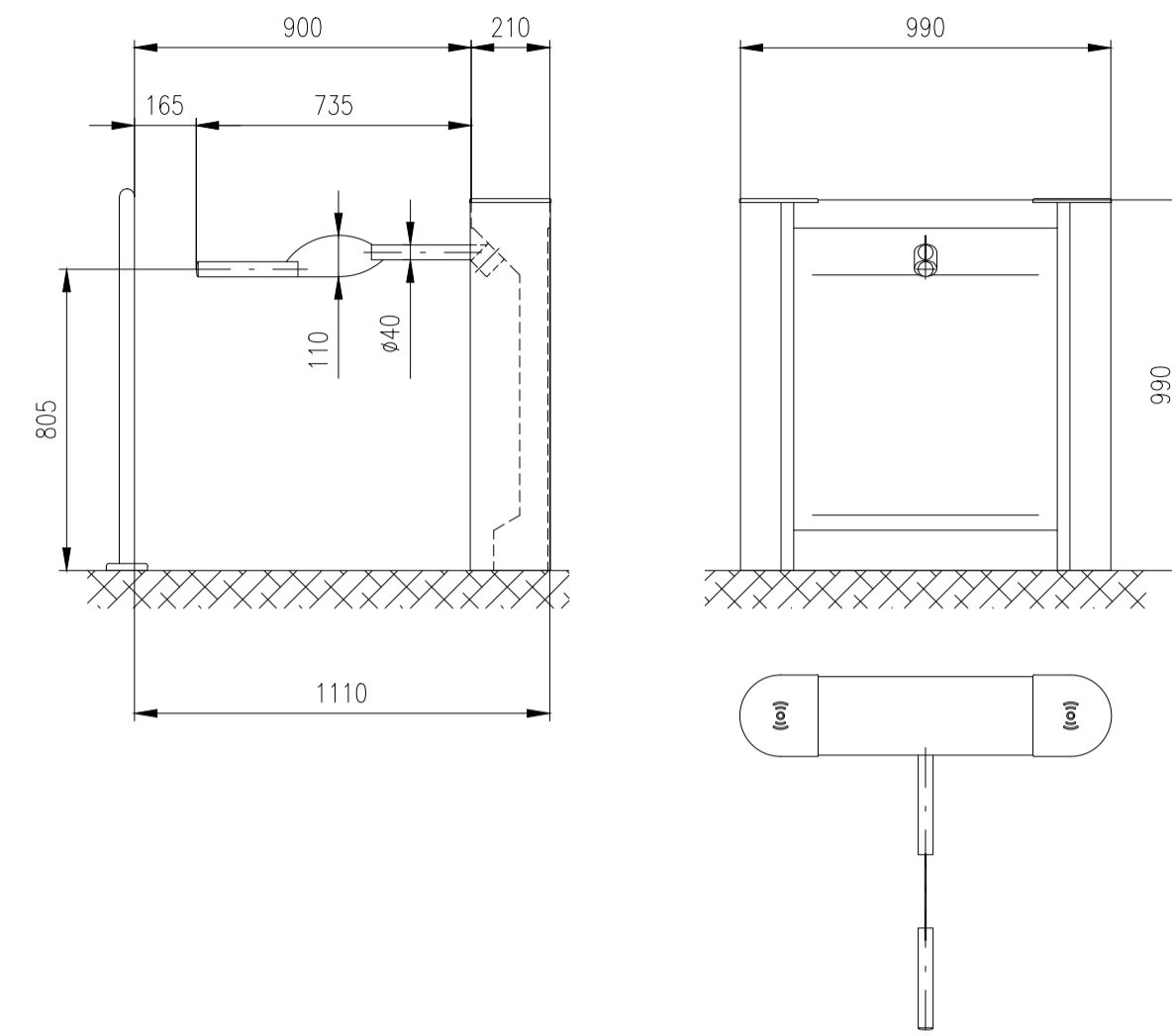
Turnstile: BAR-ONE-1 (Emergency)



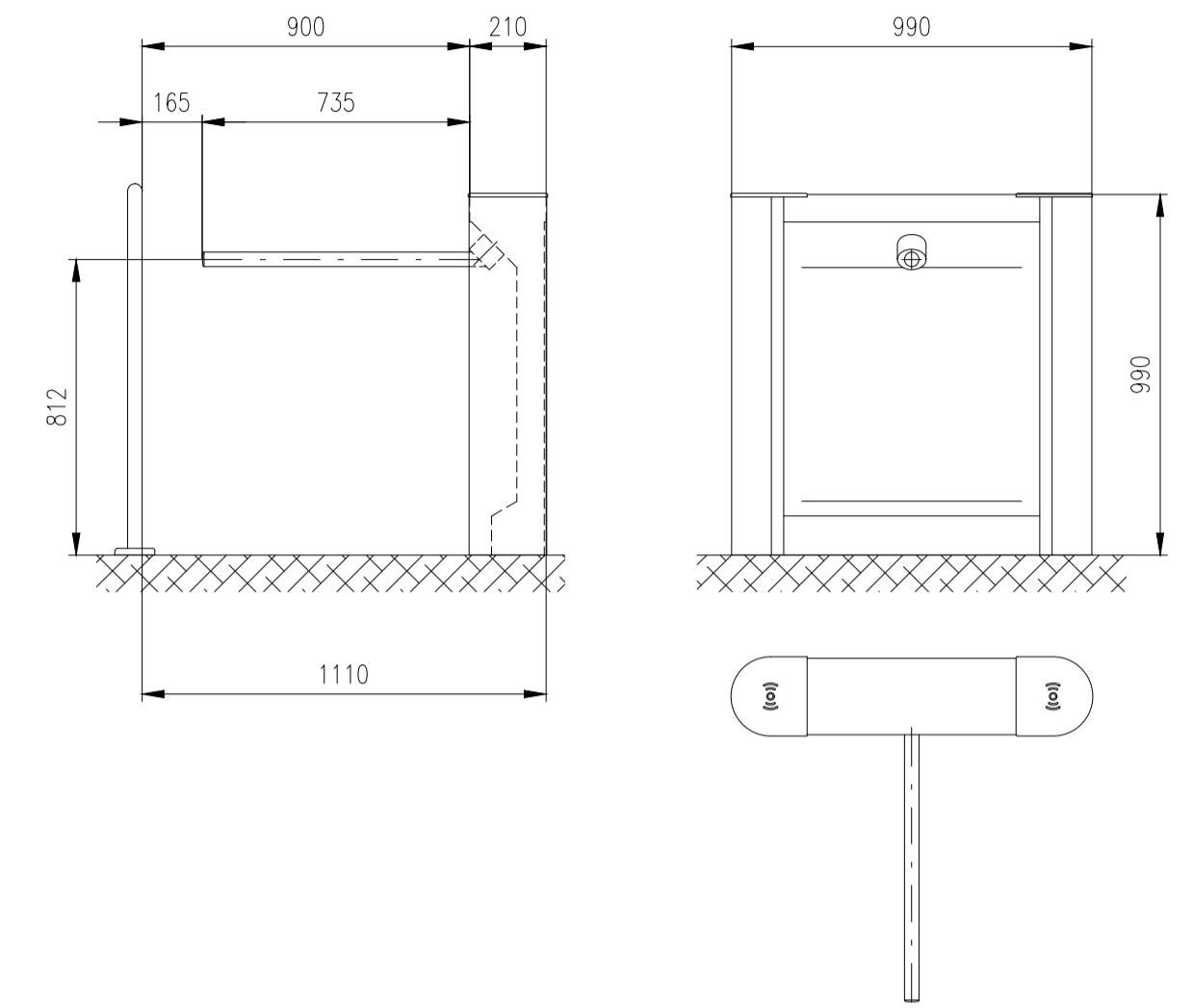
Turnstile: BAR-ONE-3



Turnstile: BAR-ONE-Gate (Emergency)

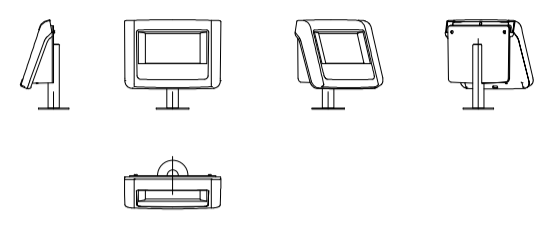
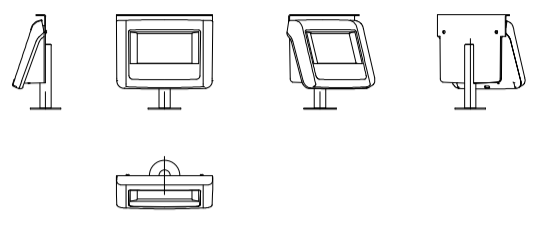
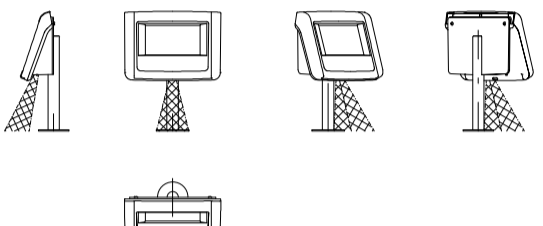
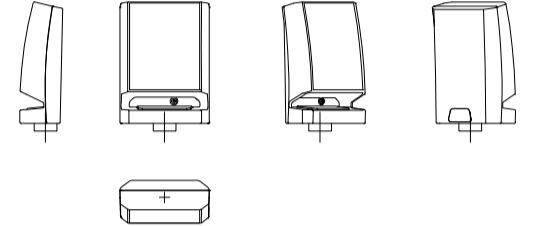


Turnstile: BAR-ONE-Gate (Emergency - Straight arm)

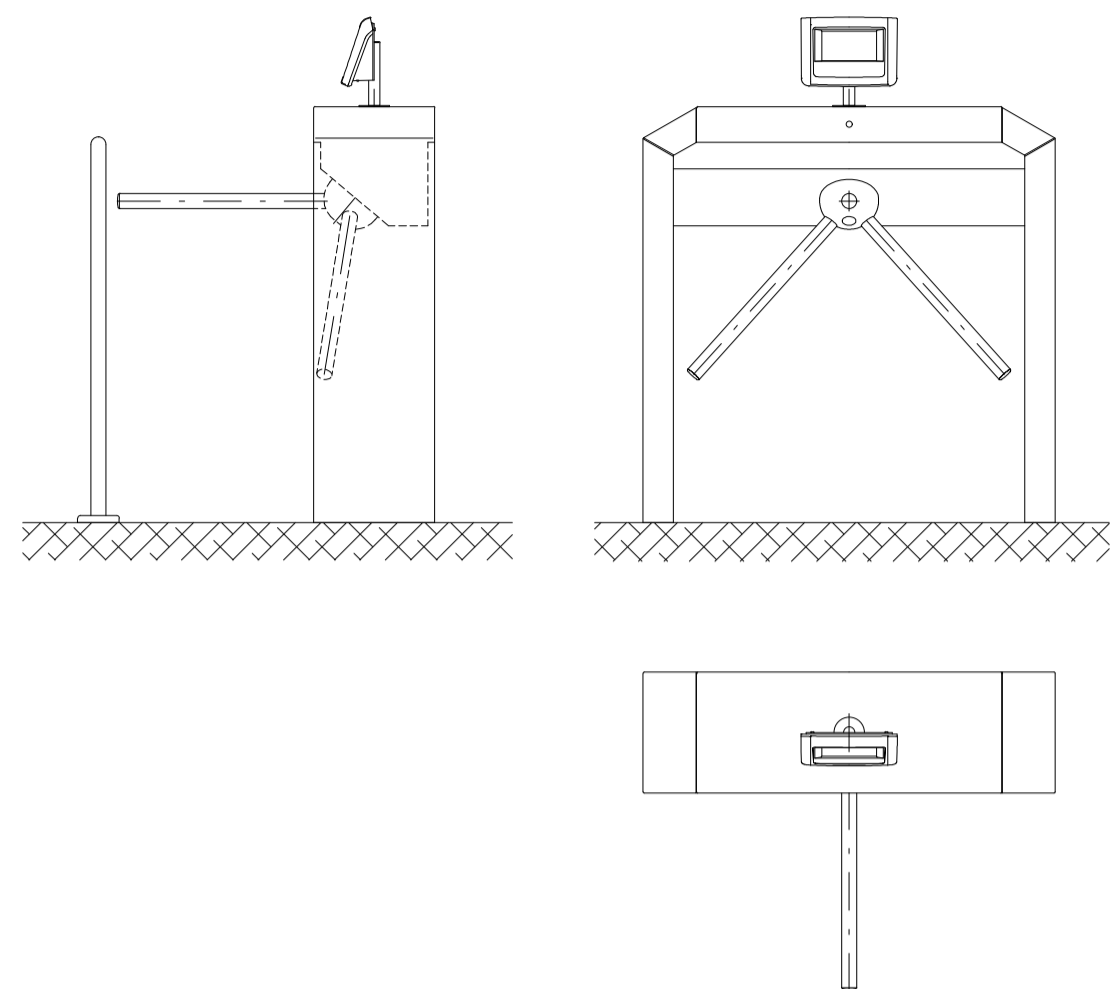


Design of turnstiles: BAR – Placing of equipment

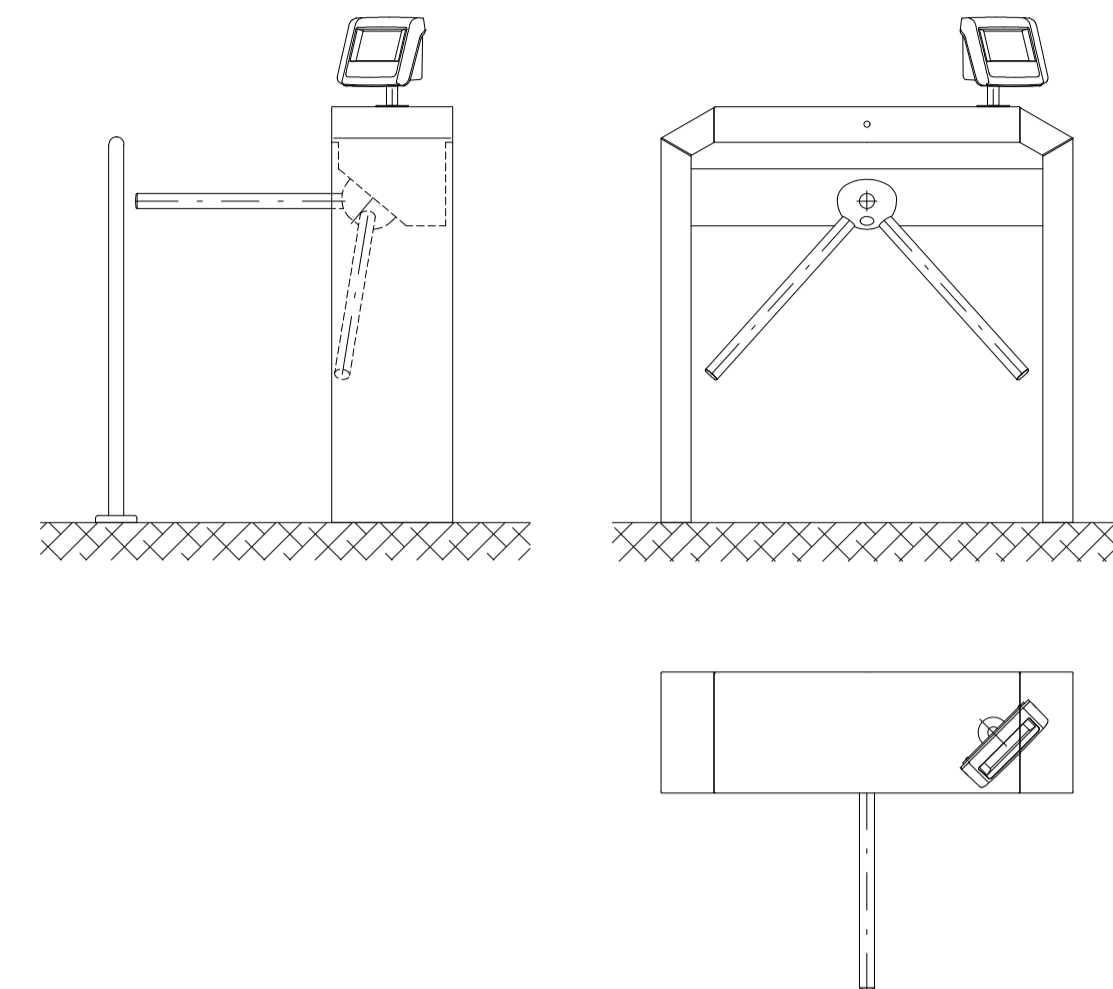
Holder of REA::TOUCH and REA::TICKET to turnstile BAR-BA, BAR-ST

<p>REA::TOUCH - without scanner - interior installation</p> 	<p>REA::TOUCH - without scanner - exterior installation</p> 
<p>REA::TOUCH - with scanner - interior installation</p> 	<p>REA::TICKET</p> 

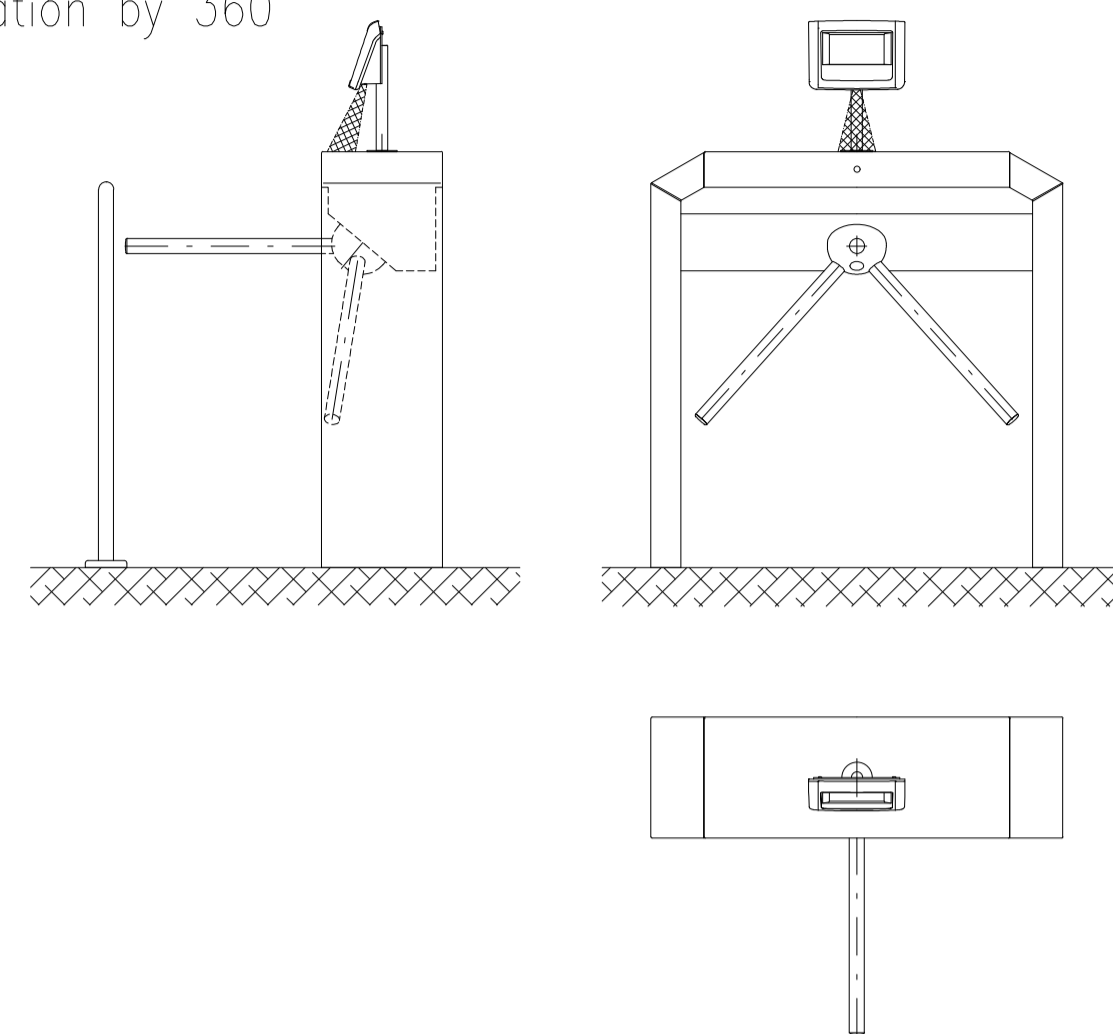
Turnstile: BAR-BA
REA::TOUCH without scanner-middle placed-interior installation
- Rotation by 360°



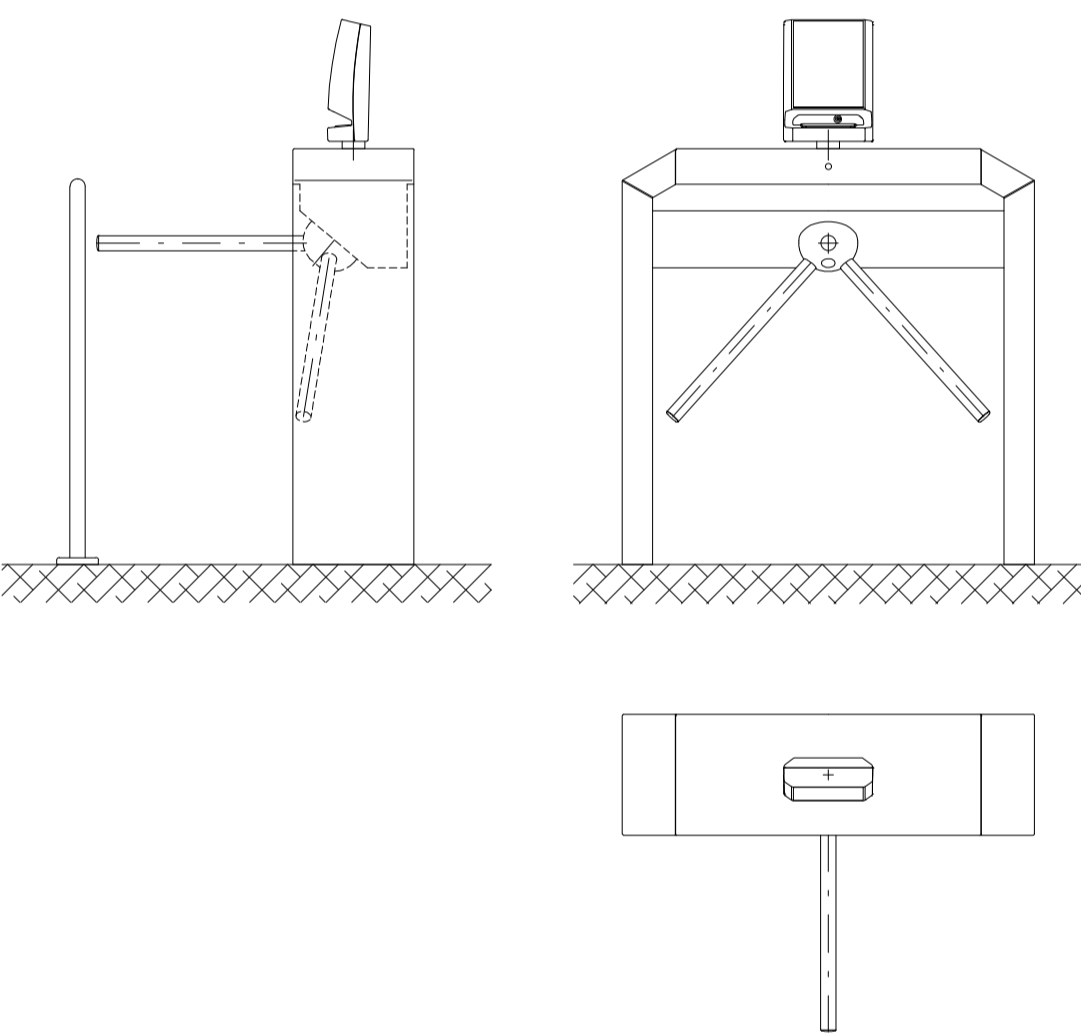
Turnstile: BAR-BA
REA::TOUCH without scanner-placed in front-interior installation
- Rotation by 360°



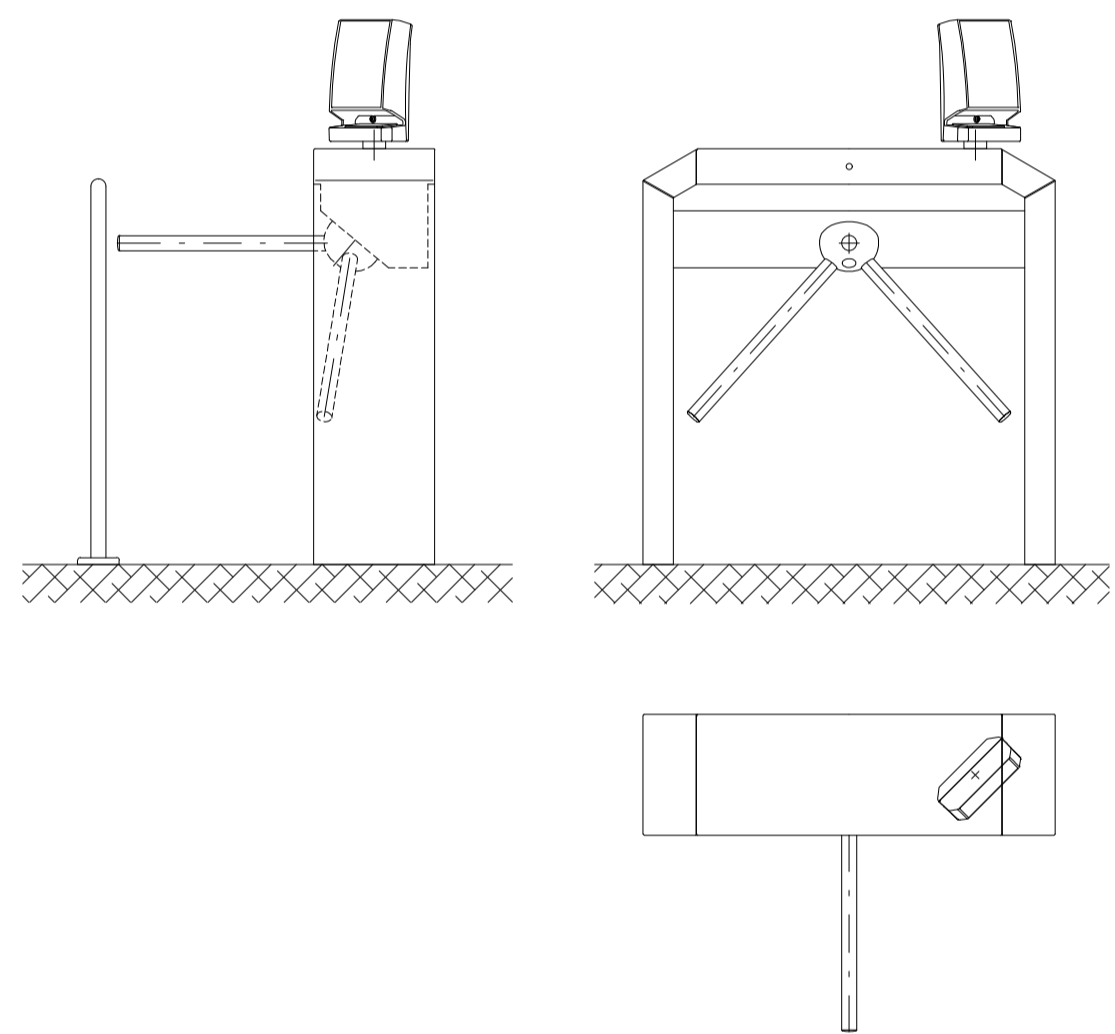
Turnstile: BAR-BA
REA::TOUCH with scanner-interior installation
- Rotation by 360°



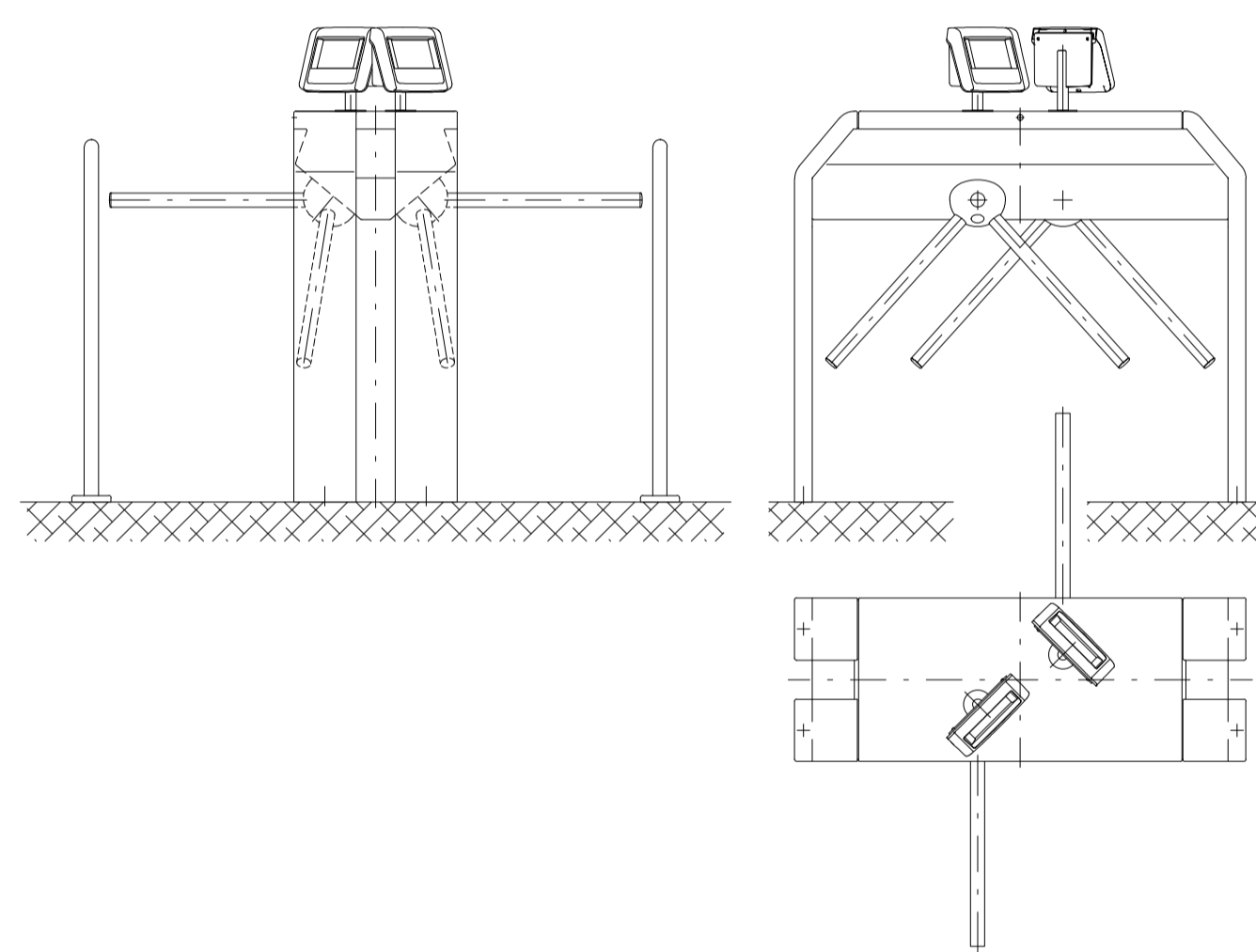
Turnstile: BAR-BA
REA::TICKET - middle placed, rotation by ±70°



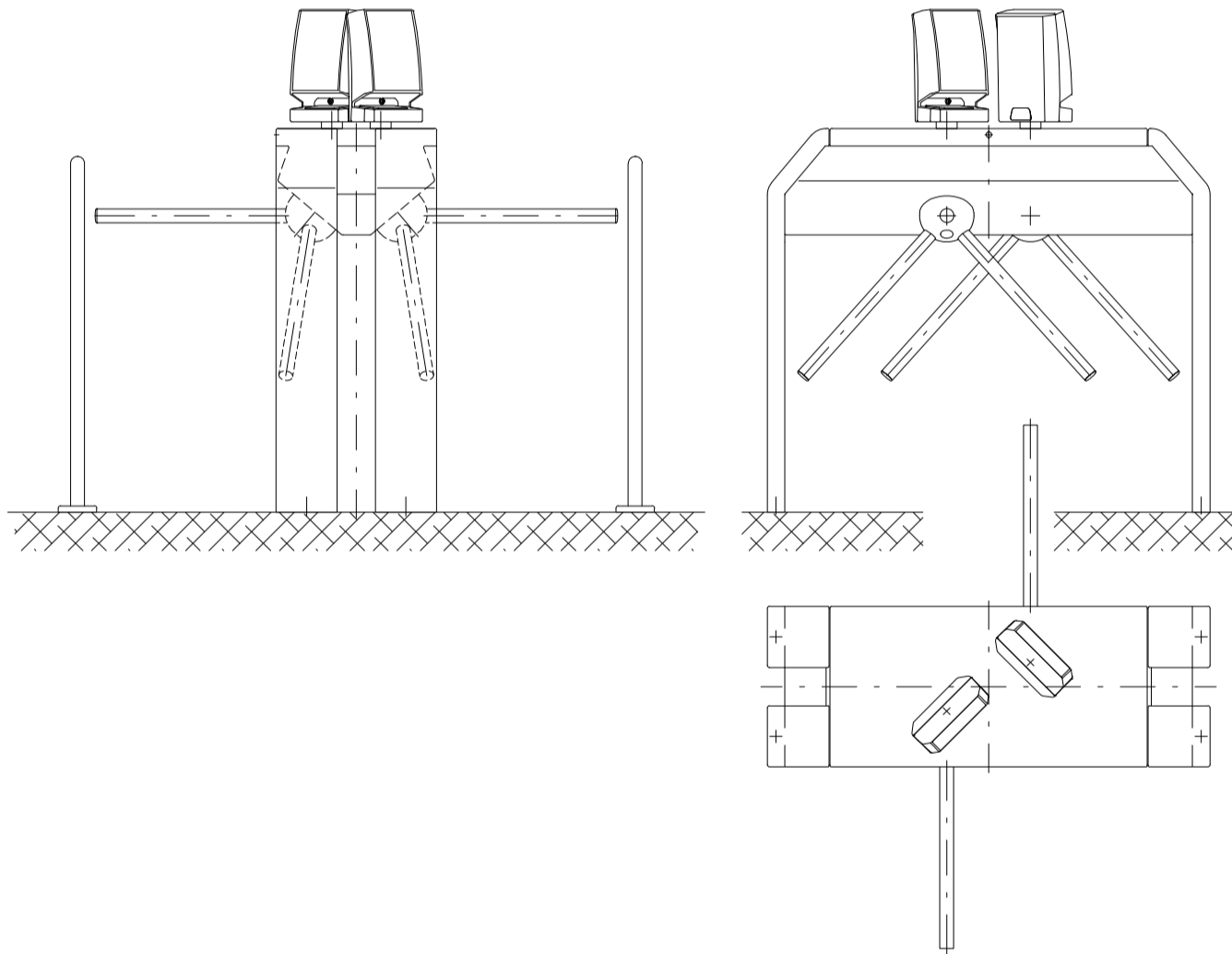
Turnstile: BAR-BA
REA::TICKET - placed in front, rotation by ±70°



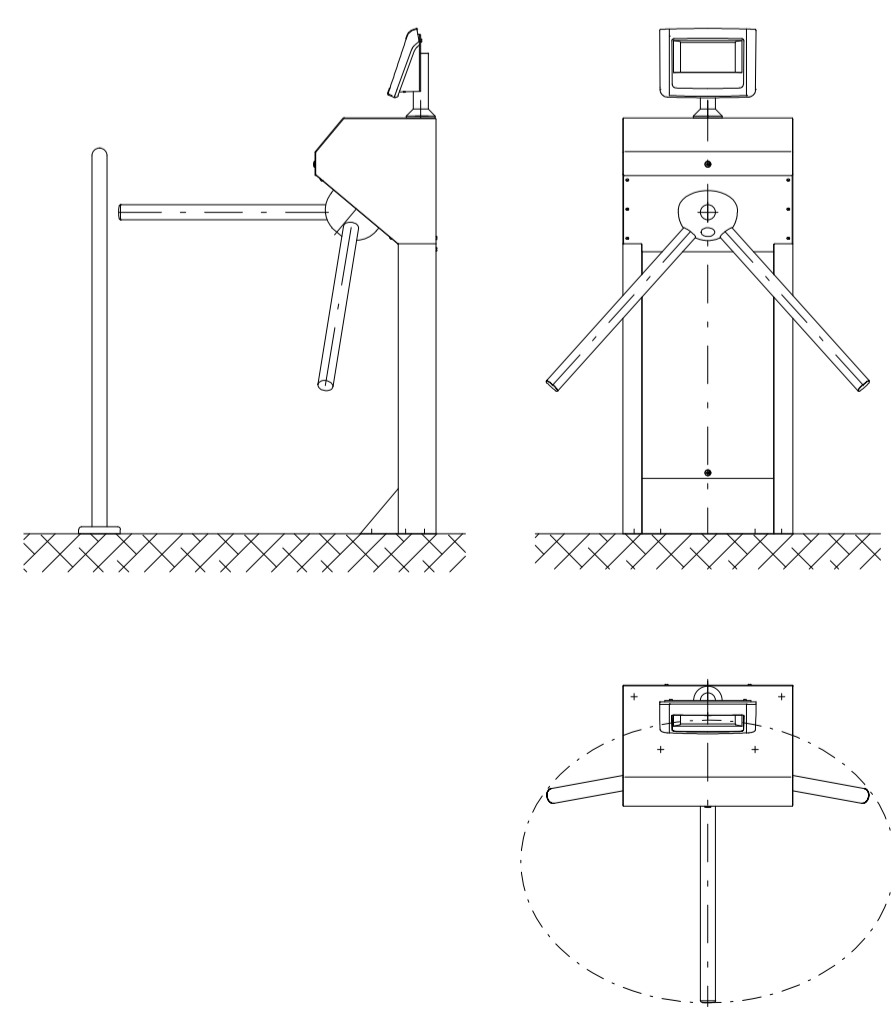
Turnstile: BAR-ST-DUO-Right
REA::TOUCH without scanner-middle placed-interior installation
- Rotation by 360°



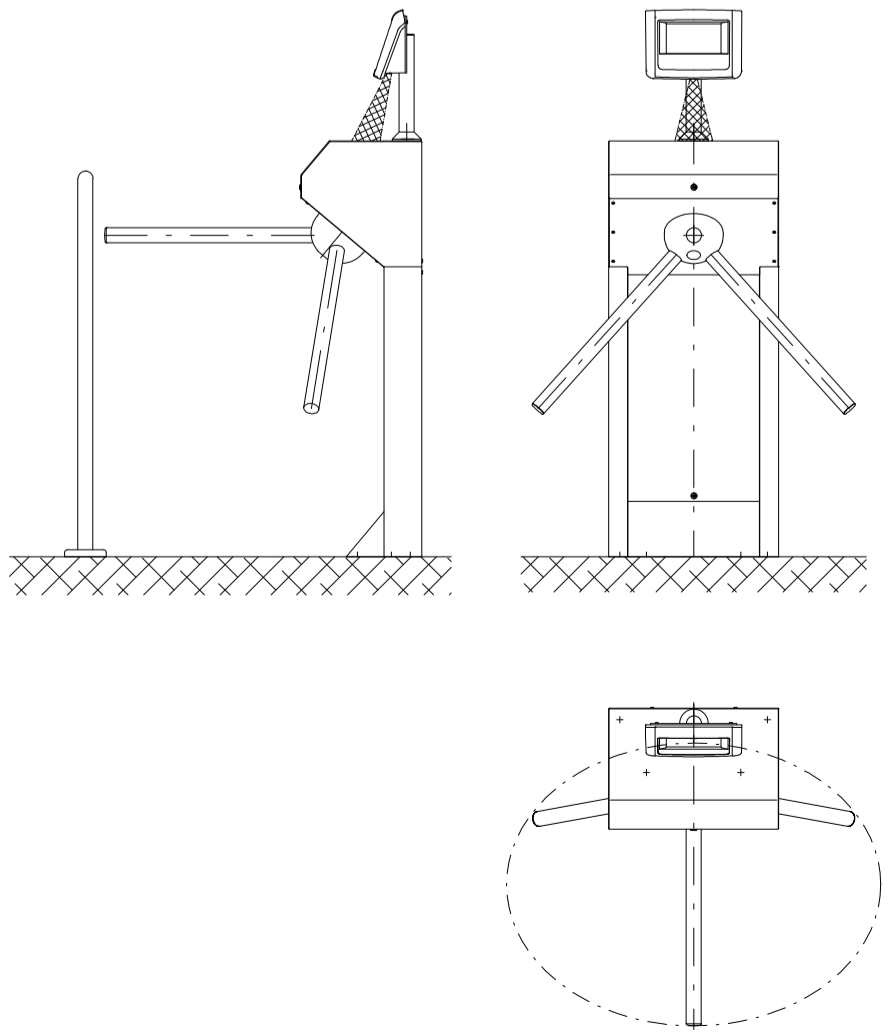
Turnstile: BAR-ST-DUO-Right
REA::TICKET - rotation by ±70°



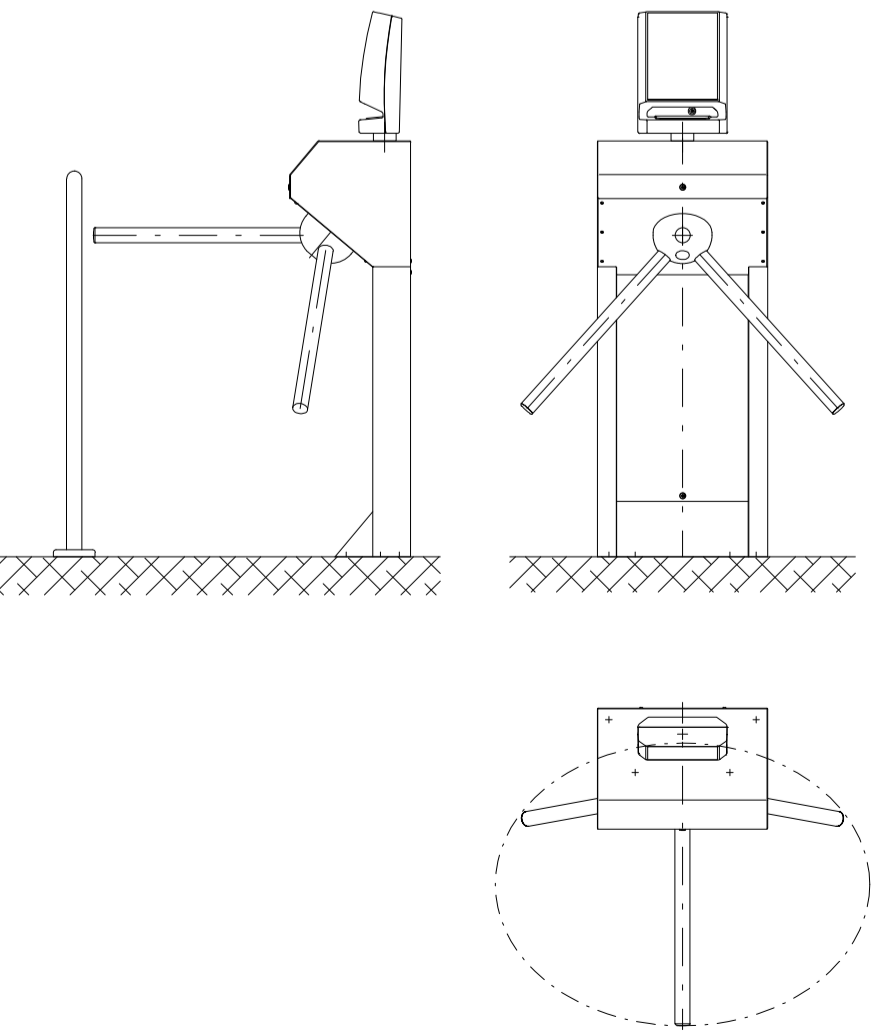
Turnstile: BAR-EK
REA::TOUCH without scanner-interior installation



Turnstile: BAR-EK
REA::TOUCH with scanner-interior installation



Turnstile: BAR-EK
REA::TICKET - Rotation by ±70°



Turnstile: BAR-SKR-DropArm
REA::TICKET - Rotation by ±70°

