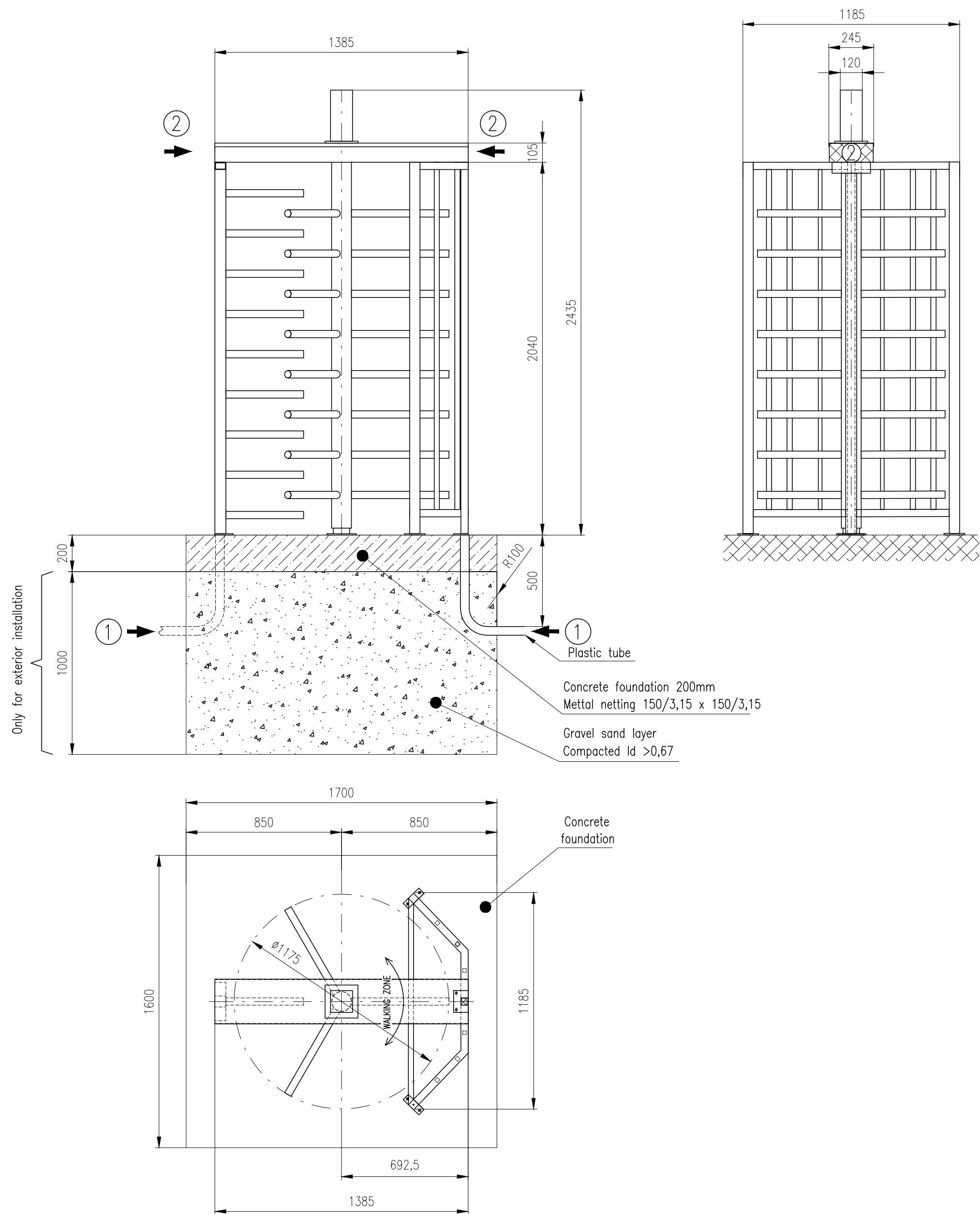


M1:20

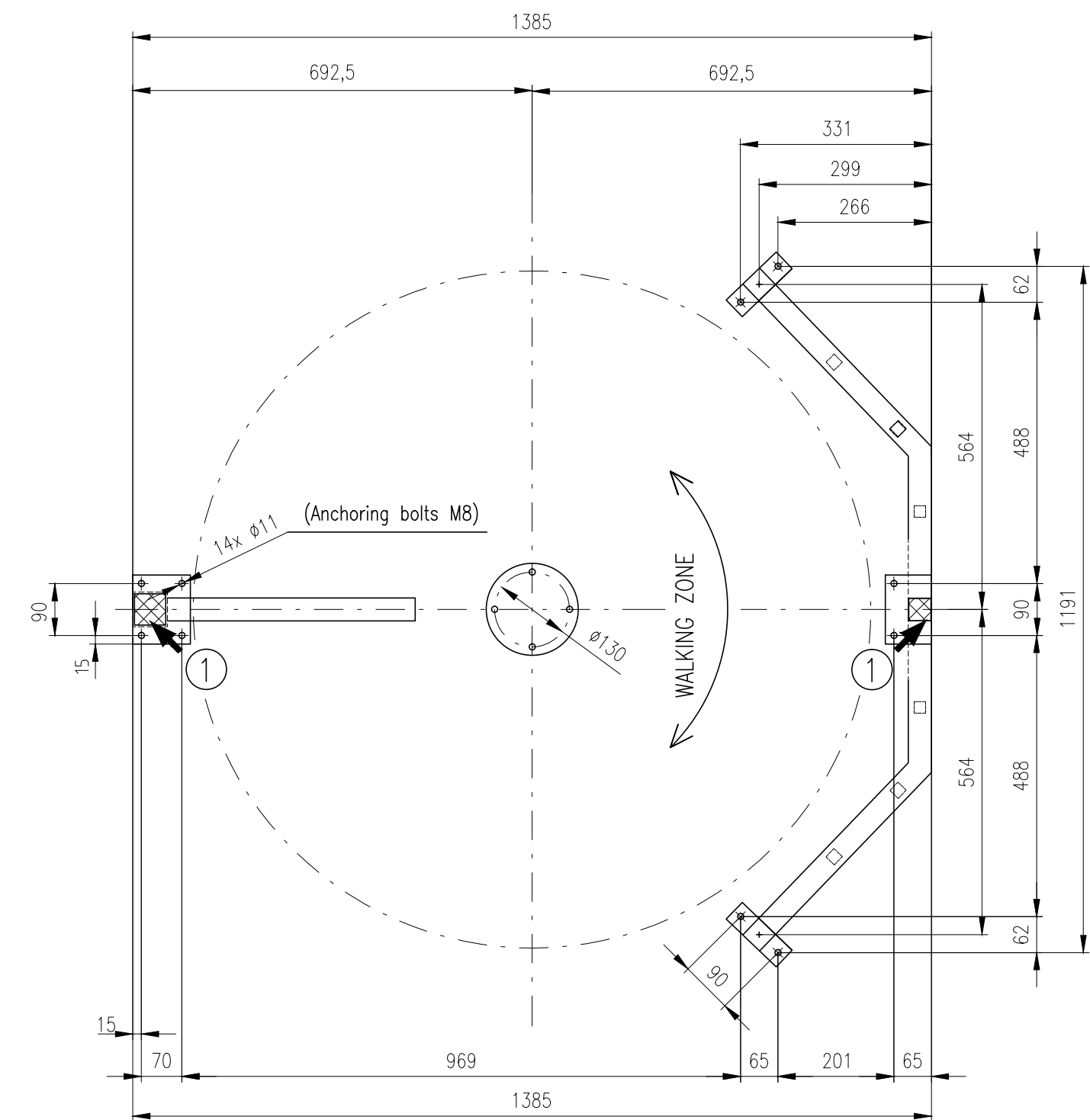


LEGEND:

- ➔ ① 1. OPTIONS - BOTTOM WIRE INPUT - USABLE MOSTLY FOR EXTERIOR INSTALLATION
- ➔ ② 2. OPTIONS - TOP WIRE INPUT - USABLE MOSTLY FOR INTERIOR INSTALLATION

Turnstile foundation: REXON-Basic

M1:10



	Date	Drawn by	Material	Order No.	
	29.3.2013	Pavel Andrlé			
	Project: Turnstile REXON-Basic				
Size A2	Title: Anchoring dimensions				D.No. PA 160329-1
Scale 1:10					